



SERVICE PARTS CATALOG

MODELS COVERED

XL900 MARK II

SERIAL NUMBERS A1000 – TO-DATE
 B0200 – TO-DATE

XL1500 MARK II

SERIAL NUMBERS D0001 – TO-DATE
 E0001 – TO-DATE

XL900 MARK I

SERIAL NUMBERS A0001 – A0999
 B0001 – B0199

TABLE OF CONTENTS

PART DESCRIPTION	XL900 MKII	XL1500 MKII	XL900 MKI
BLOWER			
Blower, 12V	1	2	13
Blower, 24V	1	2	13
COMPRESSOR			
Air Filter	6, 7	8, 9	16
Compressor, 12V: Standard Series	6	8	16
Compressor, 24V: Standard Series	6	8	16
Compressor, 24V: Yukon Series	7	9	–
Mounting Clamps	6, 7	8, 9	16
COOLANT PUMPS			
Coolant Pump, 12V	6	7	16
Coolant Pump, 24V	6, 7	8, 9	16
ELECTRICAL SYSTEM			
Controller	4	5	15
Fuse, 15 amp	4	5	15
Fuse Holder	4	5	15
Main Wire Harness	4	5	15
Power, Wire Harness	4	5	15
Sleeper Wire Harness	4	5	15
Switch Wire Harness	4	5	15
EXHAUST SYSTEM			
Exhaust Pipe 10" Long	3	3	14
Exhaust Pipe 90° Elbow	3	3	-
Exhaust Pipe Clamp	3	3	14
FUEL SYSTEM			
Fuel Strainer	1	2	13
Nozzle	1	2	13
Fuel Regulator	1	2	16
Fuel Pump: Standard Series	6	8	16
Fuel Pump: Yukon Series	7	9	–
Fuel Pickup	19	19	19
HEAT EXCHANGER			
Sight Glass Kit	1	2	13
Combustion Tube	3	3	14
Heat Exchanger	3	3	14
Rubber Shock Mounts	7, 23	23	14

TABLE OF CONTENTS

continued

PART DESCRIPTION	XL900 MKII	XL1500 MKII	XL900 MKI
IGNITION SYSTEM			
Ignition Ground Lead			13
Ignition Electrode	1	2	13
Ignition Lead with Boot	1	2	13
Ignition Coil	3	3	14
SENSORS			
Flame Sensor	1	2	13
Overheat Sensor	4	5	15
Temperature Sensor	4	5	15
TEST EQUIPMENT & SPECIAL TOOLS			
Test Lead, Blower Harness	29	29	29
Test Lead, Main Harness	29	29	29
Remote ON/OFF Switch	30	30	30
Download Kit	31	31	31
Flow Indicator	32	32	32
Test Gauge, Air Compressor	33	33	33
ACCESSORIES			
Hour Meter	4	5	15
Fuel Pickup	19	19	19
Bunk Thermostat	20		20
Isolator	20		20
ON/OFF Switch	20	20	20
Enclosures	21, 22	21, 22	21, 22
Base Mounting Plate	23	23	23
Side Frame Mounting Kit	24	24	24
Across Frame Mounting Kit	25	25	25
Timer, 7 Day Digital	26	26	26
Ground Line in-line Fuse	26	26	26
DOCUMENTATION			
Proheat Installation Manual	34	34	34
Proheat Warranty Card	34	34	34
Proheat Parts Catalog	34	34	34



SERVICE PARTS CATALOG

FOR MODEL: XL900 MARK II

SERIAL NUMBERS: A1000 - TO DATE
B0200 - TO DATE

AND

FOR MODEL: XL1500 MARK II

SERIAL NUMBERS: D0001 - TO DATE
E0001 - TO DATE

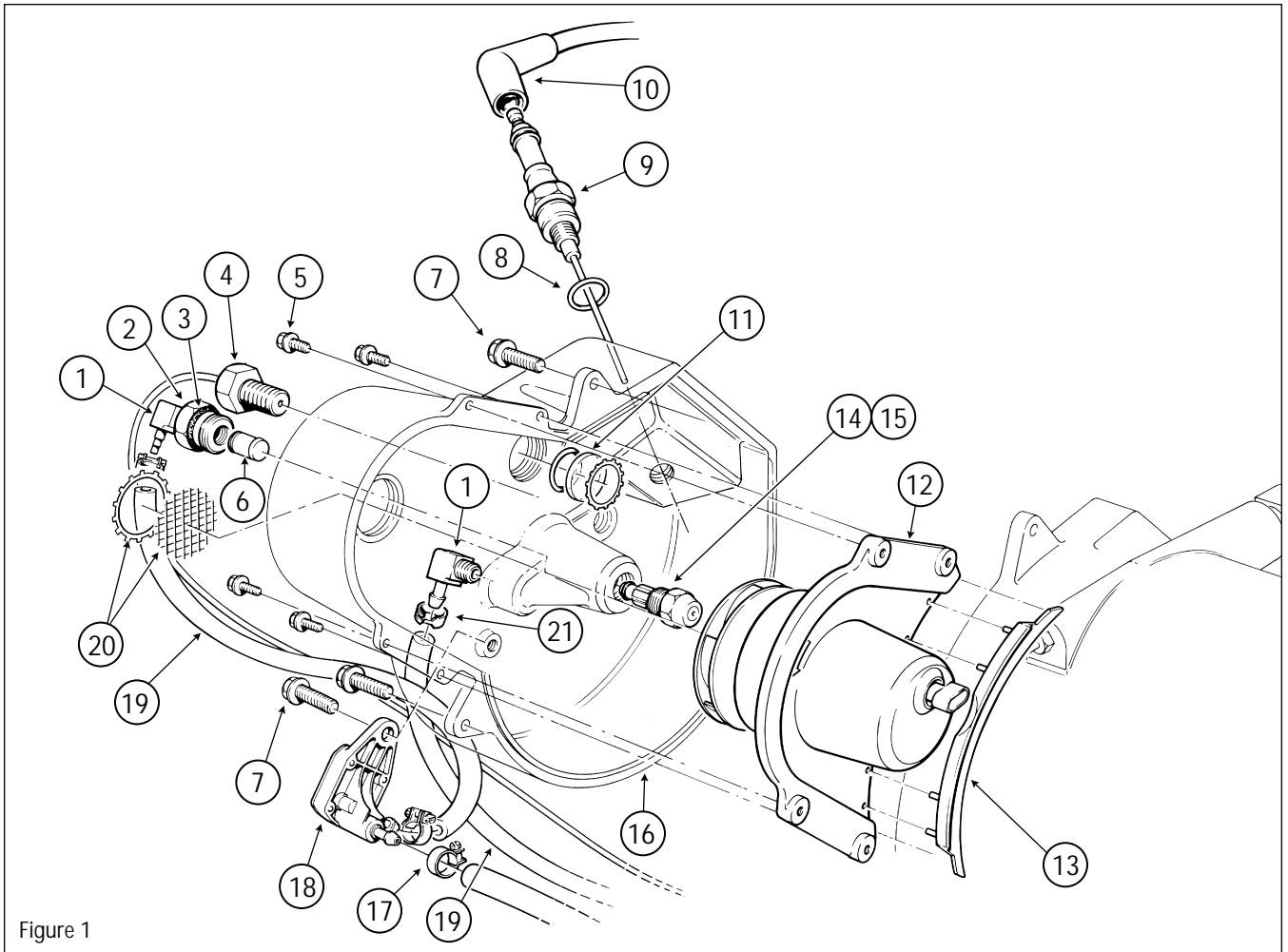


Figure 1

ITEM	PART#	QTY	DESCRIPTION
1	842123	2	Elbow, 3/16" Hose by 1/8" NPT, Air & Fuel
2	920229	1	Adapter, Fuel Strainer
3	906024	1	O-Ring, Fuel Strainer Adapter
4	954329	1	Sensor, Flame
5	934429	4	Screw, 10-24 NC by 5/8" Hex HD
6	919823	1	Fuel Strainer
7	903628	4	Screw, Hex Flange, 1/4" NC by 5/8"
8	953523	1	Gasket, Seat, Igniter, MKII
9	933520	1	Igniter, MKII
10	930521	1	Lead, Ignition with Boot, MKII
11	844721K	1	Sight Glass Kit
12	933125K	1	Blower, XL900, 12V, MKII
	935121K	1	Blower, XL900, 24V, MKII
13	933021	1	Gasket, Blower, MKII
14	* 928428K	1	Nozzle, Fuel, XL900, 30609-30, c/w O-Ring
15	221442	1	O-Ring, Nozzle
16	981627	1	Fan End Casting, (sub), XL900, c/w Screen & Window
17	934325	3	Clamp, Fuel Hose

ITEM	PART#	QTY	DESCRIPTION
18	951123-2	1	Regulator, Fuel
19	842020	5ft.	Hose, Air & Fuel, 3/16" ID, per foot
20	964321K	1	Screen, Blower Inlet Kit
21	840429	1	Clamp, Spring, Green, Air

** Always check part # on nozzle to ensure correct replacement part.*

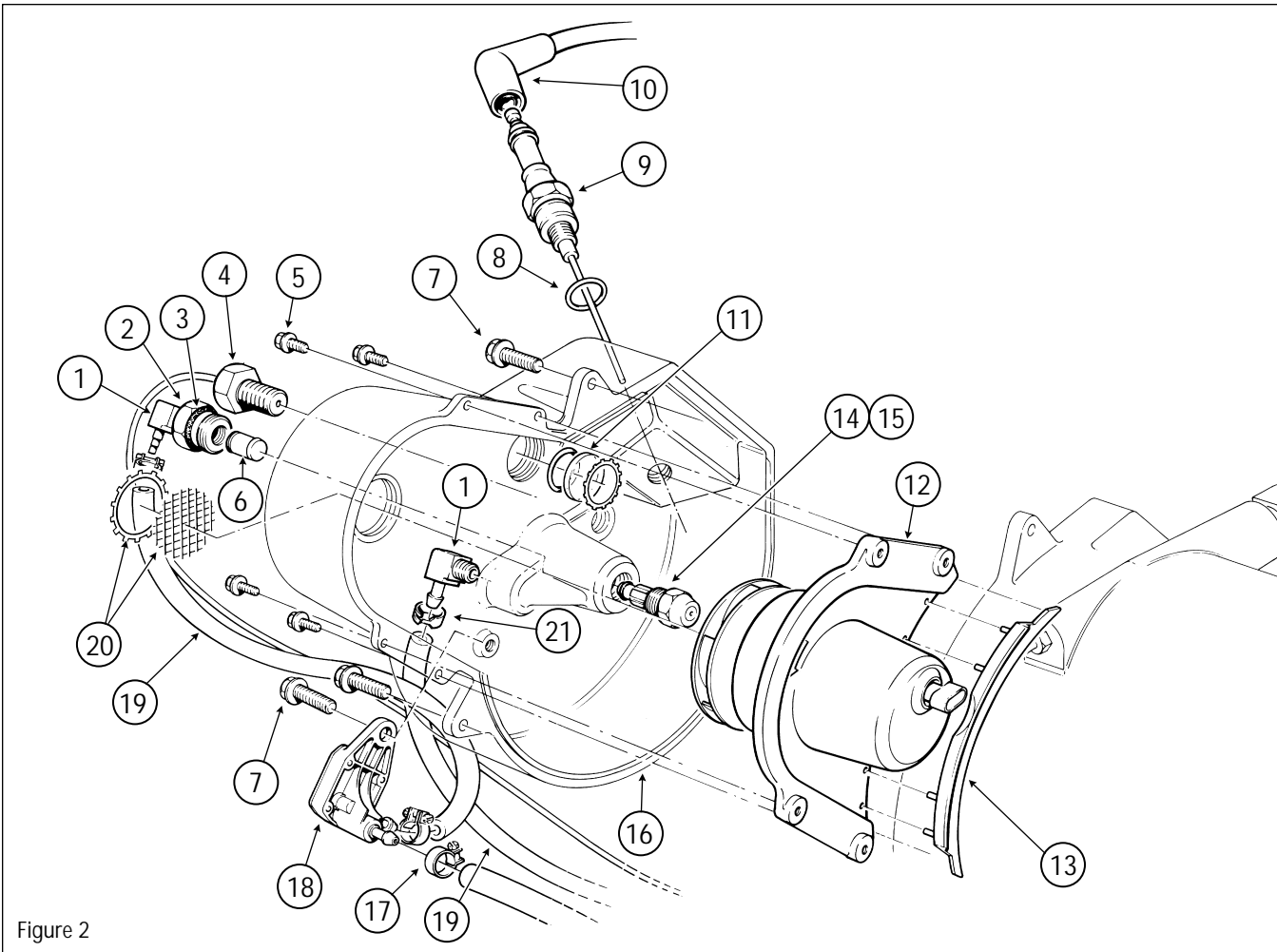


Figure 2

ITEM	PART#	QTY	DESCRIPTION
1	842123	2	Elbow, 3/16" Hose by 1/8" NPT, Air & Fuel
2	920229	1	Adapter, Fuel Strainer
3	906024	1	O-Ring, Fuel Strainer Adapter
4	954329	1	Sensor, Flame
5	934429	4	Screw, 10-24 NC by 5/8" Hex HD
6	919823	1	Fuel Strainer
7	903628	4	Screw, Hex Flange, 1/4" NC by 5/8"
8	953523	1	Gasket, Seat, Igniter, MKII
9	933520	1	Igniter, MKII
10	930521	1	Lead, Ignition with Boot, MKII
11	844721K	1	Sight Glass Kit
13	933021	1	Gasket, Blower, MKII
15	221442	1	O-Ring, Nozzle
17	934325	3	Clamp, Fuel Hose
18	951123-2	1	Regulator, Fuel
19	842020	5 ft.	Hose, Air & Fuel, 3/16" ID, per foot
20	964321K	1	Screen, Blower Inlet Kit
21	840429	1	Clamp, Spring, Green, Air

ITEM	PART#	QTY	DESCRIPTION
FOR SERIAL N°. D2200 TO DATE & N°. E2300 TO DATE			
12	981523K	1	Blower, XL1500-2, 12V, MKII (for serial N°. D2200 to date)
	981824K	1	Blower, XL1500-2, 24V, MKII (for serial N°. E2300 to date)
14	* 938326-2K	1	Nozzle, Fuel, XL1500-2, 30609-35, c/w O-Ring
16	981721	1	Fan End Casting, (sub), XL1500-2, c/w Screen & Window
FOR SERIAL N°. D0001-D2199 & N°. E0001-E2299			
12	930822K	1	Blower, XL1500-1, 12V, MKII (for serial N°. D0001-D2199)
	930926K	1	Blower, XL1500-1, 24V, MKII (for serial N°. E0001-E2299)
14	* 938326K	1	Nozzle, Fuel, XL1500-1, 30609-32, c/w O-Ring
16	981627	1	Fan End Casting, (sub), XL1500-1, c/w Screen & Window
<i>* Always check part # on nozzle to ensure correct replacement part.</i>			

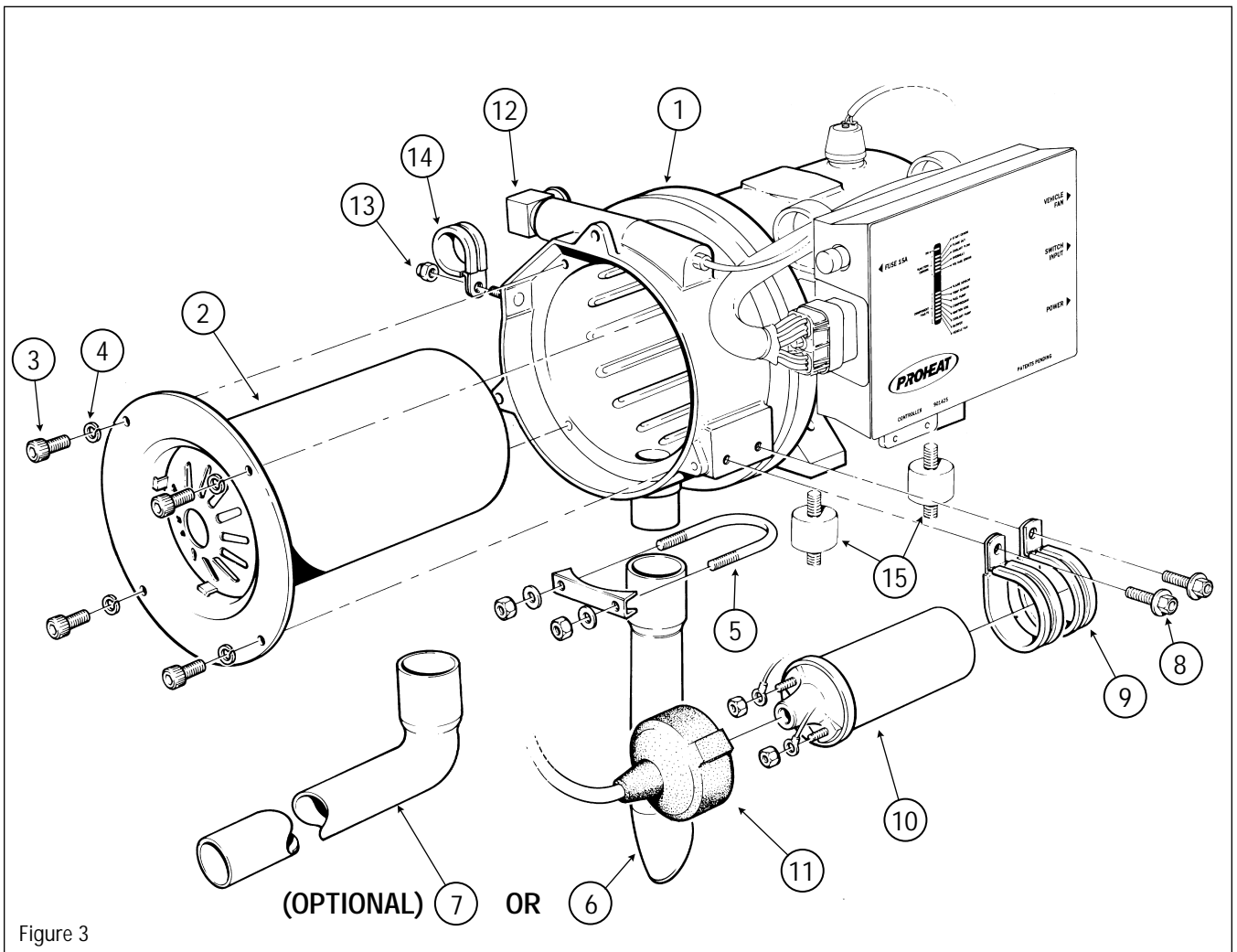


Figure 3

ITEM	PART#	QTY	DESCRIPTION
1	934522	1	Heat Exchanger, with Elbows, MKII
2	844222	1	Combustion Tube, XL900 -12V/24V
	844200	1	Combustion Tube, XL1500-12V/24V
3	923123	4	Screw, 10-24 NC by 1/2", Socket HD
4	020625	4	Lockwasher, #10
5	909521	1	Clamp, Exhaust Pipe
6	845028	1	Exhaust Pipe, 10" long
7	980521	1	Exhaust Pipe, 90° Elbow, 24"
8	903628	2	Screw, Hex Flange, 1/4" NC by 5/8"
9	936829	2	Clamp, Cushioned 2 1/16" ID
10	913526K	1	Coil, Ignition
11	930521	1	Lead, Ignition with Boot, MKII, (see item 10 page 1)
12	904921	1	Elbow, 3/4" Hose by 1/2" NPT
13	938928	1	Nut, Nylon, 1/4" NC JAM
14	936725	1	Clamp, Cushioned 3/8" ID

ITEM	PART#	QTY	DESCRIPTION
15			See Page 23

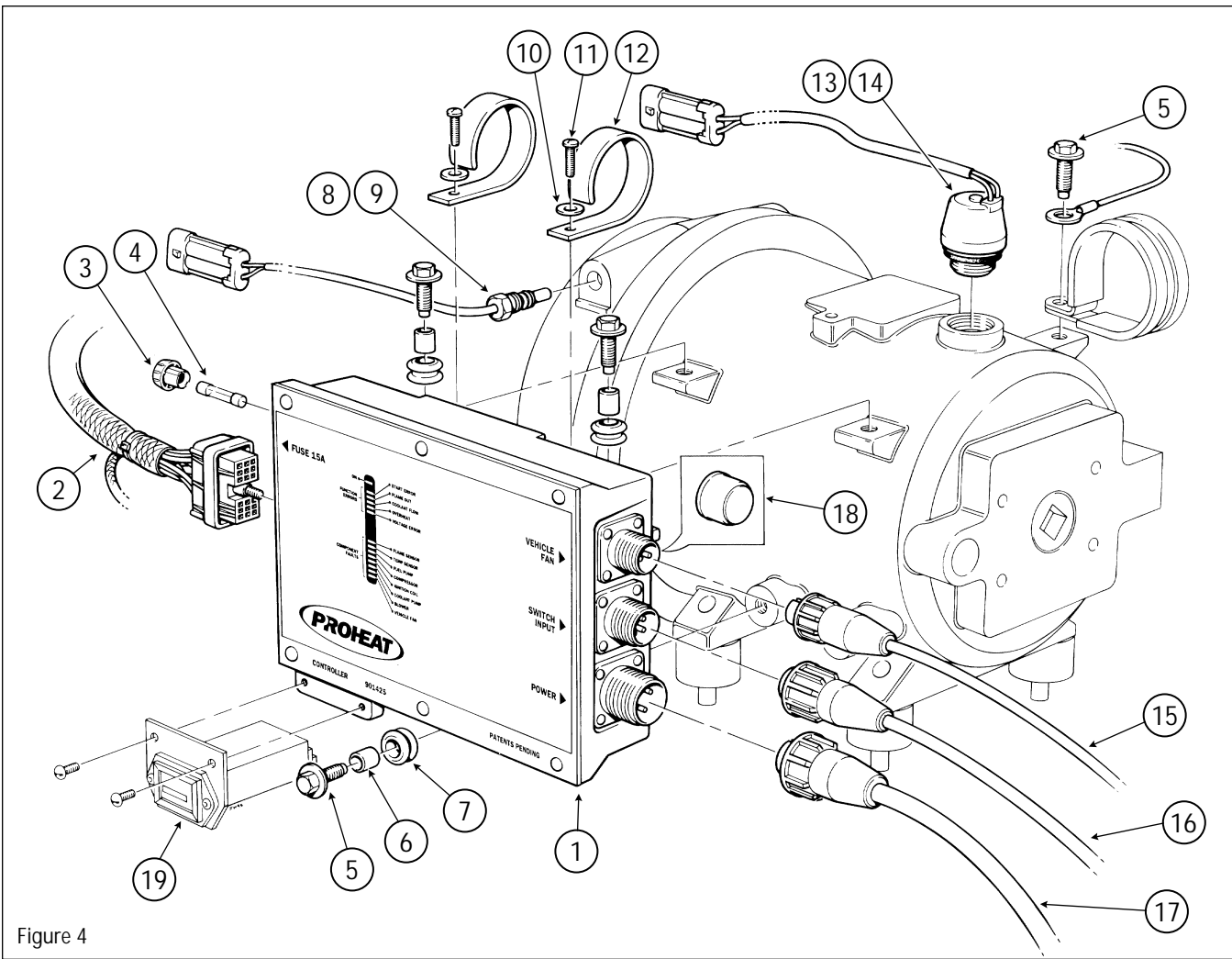


Figure 4

ITEM	PART#	QTY	DESCRIPTION
1			PCM, (see page 10)
2	934128	1	Harness, Main Internal
3	900001K	1	Fuse Holder Kit
4	921823	1	Fuse, 15A
5	903628	4	Screw, Hex Flange, 1/4" NC by 5/8"
6	920821	3	Spacer, Controller
7	905229	3	Grommet, Controller Mount
8	901124	1	Sensor, Temperature
9	905821	1	O-Ring, Temperature Sensor
10	703720	2	Washer, #10
11	934429	2	Screw, 10-24 NC by 5/8" Hex HD
12	934626	2	Clip, Wire Harness
13	901021	1	Sensor, Overheat
14	917724	1	O-Ring, Overheat
15	903026	1	Harness, Sleeper Fan, 30' (2 pin) XL900 only
16	903120	1	Harness, Switch, 25' (4 pin)
17	903223	1	Harness, Power, 15' (3 pin)
18	931327	1	Cover, Connector, XL900 only

ITEM	PART#	QTY	DESCRIPTION
			OPTION
			HOUR METER KIT
19	PK0051	1	Hour Meter Kit

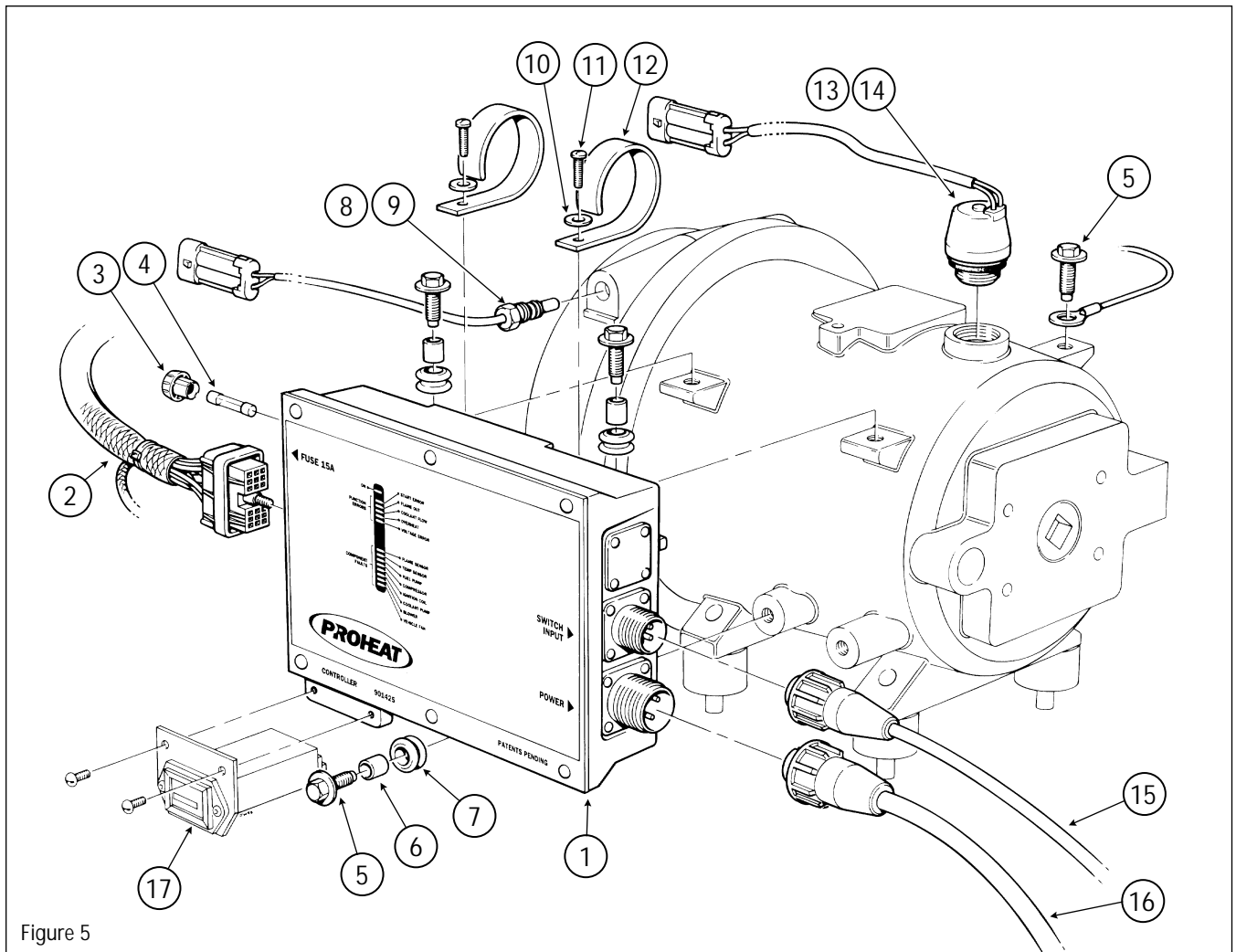


Figure 5

ITEM	PART#	QTY	DESCRIPTION
1			PCM, (see page 10)
2	934128	1	Harness, Main Internal
3	900001K	1	Fuse Holder Kit
4	921823	1	Fuse, 15A
5	903628	4	Screw, Hex Flange, 1/4" NC by 5/8"
6	920821	3	Spacer, Controller
7	905229	3	Grommet, Controller Mount
8	901124	1	Sensor, Temperature
9	905821	1	O-Ring, Temp. Sensor
10	703720	2	Washer, #10
11	934429	2	Screw, 10-24 NC by 5/8" Hex HD
12	934626	2	Clip, Wire Harness
13	901021	1	Sensor, Overheat
14	917724	1	O-Ring, Overheat
15	903120	1	Harness, Switch, 25' (4 pin)
16	903223	1	Harness, Power, 15' (3 pin)

ITEM	PART#	QTY	DESCRIPTION
			OPTION
			HR METER KIT
17	PK0051	1	Hour Meter Kit

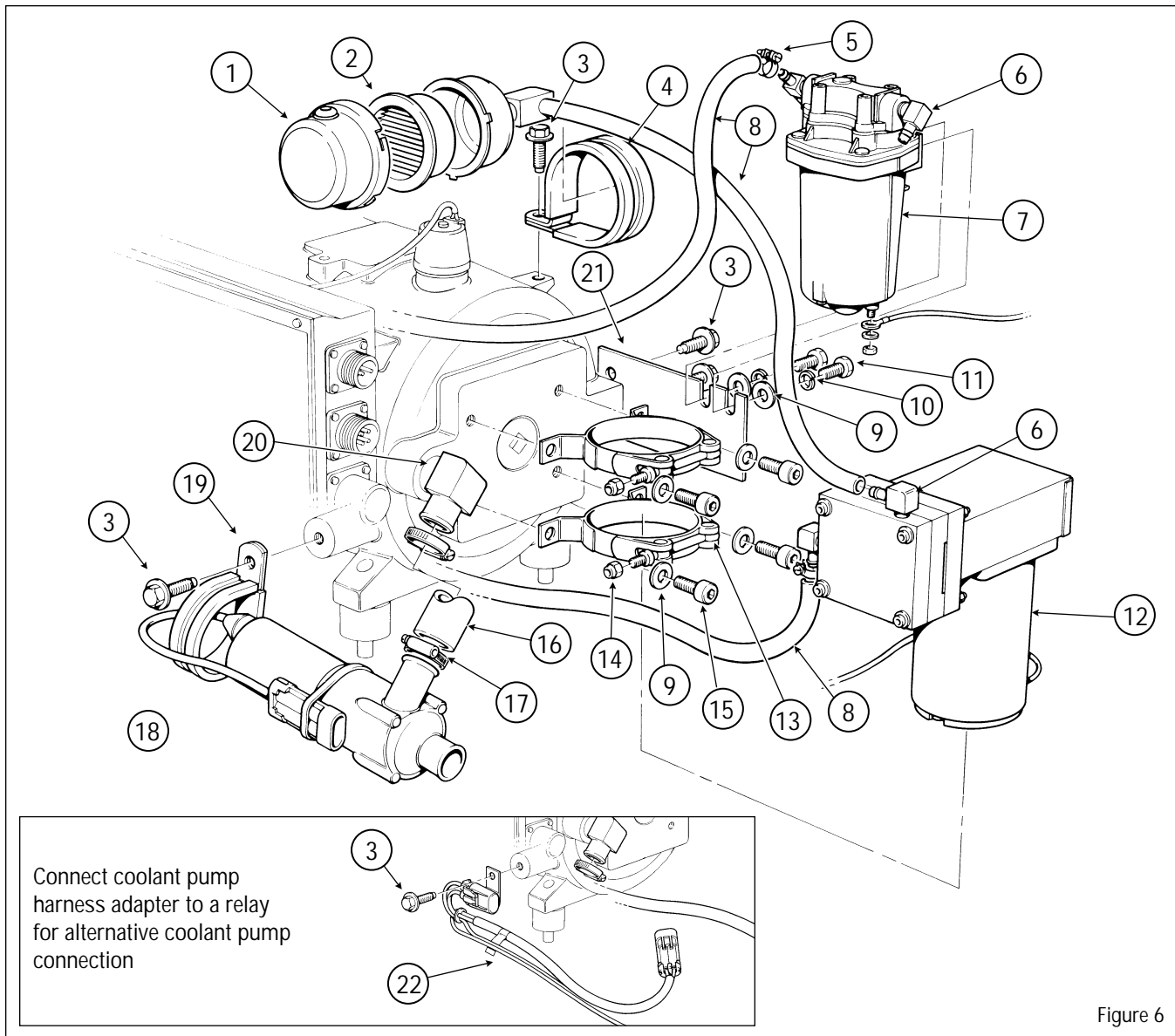


Figure 6

ITEM	PART#	QTY	DESCRIPTION
1	936227	1	Filter, Air, MK II, c/w element
2	953420	1	Filter, Air, MK II, Replacement element only
3	903628	4	Screw, Hex Flange, 1/4" NC by 5/8"
4	936829	1	Clamp, Cushioned 2 1/16" ID
5	934325	2	Clamp, Fuel Hose
6	842123	4	Elbow, 3/16" Hose by 1/8" NPT, Air & Fuel
7	909427K	1	Pump, Fuel
8	842020	6 ft.	Hose, Air & Fuel, 3/16" ID, per foot
9	067528	4	Washer, 1/4"
10	029526	2	Lockwasher, 1/4"
11	922224	2	Screw, 1/4" NC by 1/2" Hex HD
12	911728K	1	Compressor, XL900, 12V
	928822K	1	Compressor, XL900, 24V
13	929121	2	Clamp, Compressor Mounting, (c/w nut)
14	706728	2	Nut, Self Locking, 1/4" NE

ITEM	PART#	QTY	DESCRIPTION
15	999669	4	Screw, 1/4" NC by 1/2" Socket HD
16	921221	3"	Hose, Coolant 3/4" ID, per foot
17	962823	2	Clamp, Oetiker, Screw
18	940326K	1	Pump, Coolant, CP1800, 12V c/w: (2) Hose clamps (1) Clamp, cushioned
	942820K	1	Pump, Coolant, CP1800, 24V c/w: (2) Hose clamps (1) Clamp, cushioned
19	943828	1	Clamp, Tfx Circulating Pumps
	905322	1	Clamp, Cushioned 1 11/16" ID (for Johnson pumps)
20	904921	1	Elbow, 3/4" Hose by 1/2" NPT
21	933821	1	Bracket, Fuel Pump, MK II
22	944026	1	Harness Adapter, Water Pump, (Allows an alternate water pump to be connected to the Proheat wiring harness.)

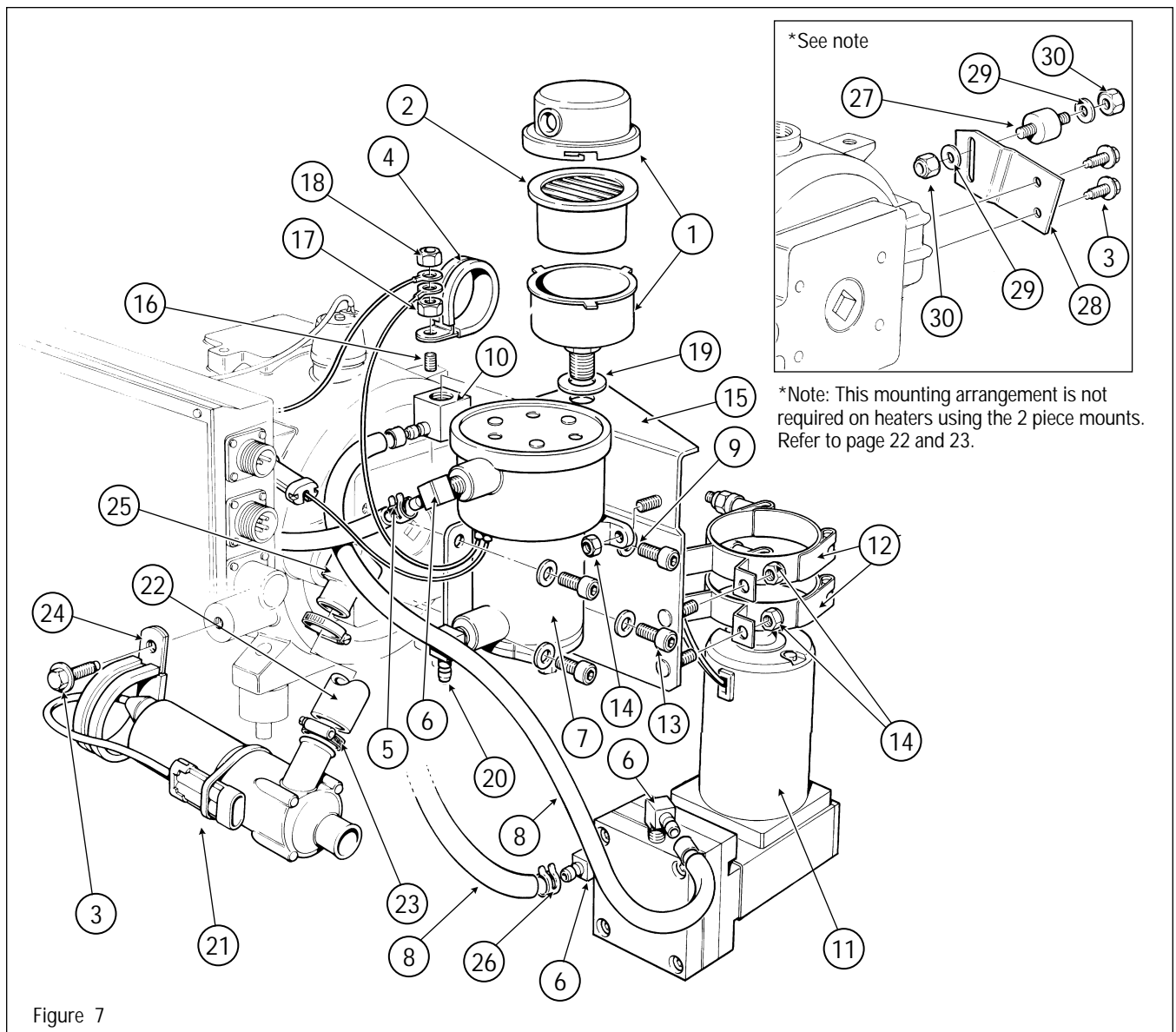


Figure 7

ITEM	PART#	QTY	DESCRIPTION
1	936227	1	Filter, Air, MK II, c/w element
2	953420	1	Filter, Air, MK II, Replacement element only
3	903628	1	Screw, Hex Flange, 1/4" NC by 5/8"
4	757221	1	Clamp, Cushioned 1.25 ID
5	934325	1	Clamp, Fuel Hose
6	842123	3	Elbow, 3/16" Hose by 1/8" NPT, Air & Fuel
7	909501K	1	Pump, Fuel 24V 'E' c/w Fittings & Nuts
8	842020	6 ft.	Hose, Air & Fuel, 3/16" ID, per foot
9	029526	4	Lockwasher V4"
10	936621	1	Elbow 3/8 T - 1/4"NPT
11	911727K	1	Compressor XL900 24V YUKON
12	929121	2	Clamp, Compressor Mounting (c/w nut)
13	999669	4	Screw, 1/4" NC by 1/2" Socket HD.
14	938928	6	Nut 1/4" NC Jam Plated

ITEM	PART#	QTY	DESCRIPTION
15	933800	1	Bracket Multimount
16	742301	1	Ground Stud
17	704722	1	Nut 1/4" NC S5
18	067528	1	Nut 1/4" NC Jam Plated
19	850000	1	Washer M14 Flat Plated
20	912025	1	Elbow, 1/4"Hose x 1/8" NPT
21	942820K	1	Pump Coolant CP1800 24V c/w Hose Clamps (x2) Clamp, cushioned (x1)
22	921221	3"	Hose, Coolant 3/4" ID, per foot
23	962823	2	Clamp Oetiker Screw
24	943828	1	Clamp, Tfx Circulating Pumps
25	904921	1	Elbow, 3/4" Hose by 1/2" NPT
26	840429	1	Clamp, Spring, green, Air
27	931026	1	Shock mount, Neoprene 50D
28	933801	1	Bracket, Vibration
29	010924	2	Washer 5/16" Flat 3/4 OD SS
30	113820	2	Nut 5/16" NC Nyloc plated

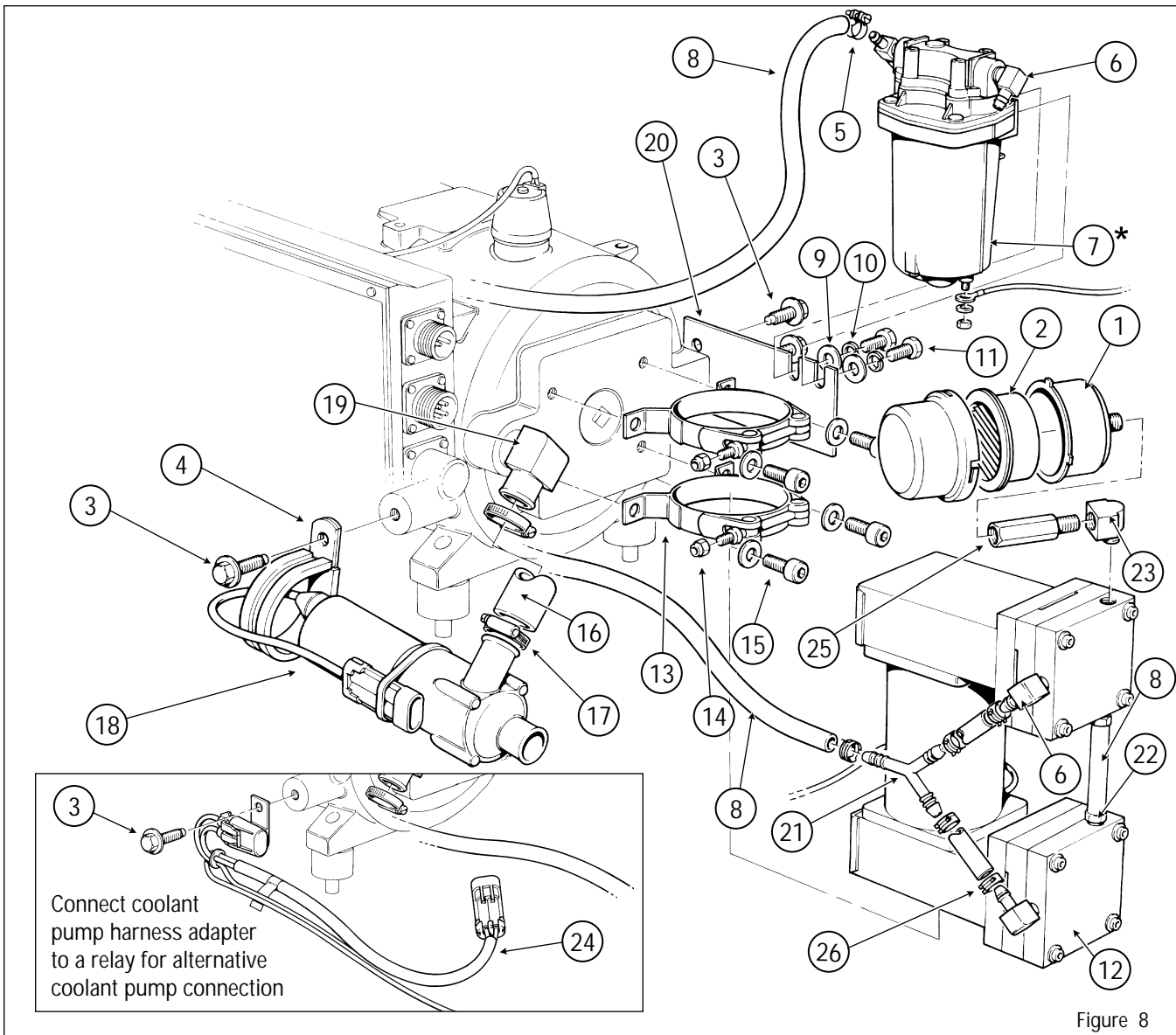


Figure 8

ITEM	PART#	QTY	DESCRIPTION
1	936227	1	Filter, Air, MK II, c/w element
2	953420	1	Filter, Air, MK II, Replacement element only
3	903628	3	Screw, Hex Flange, 1/4" NC by 5/8"
4	943828	1	Clamp, Tfx Circulating Pumps
5	934325	2	Clamp, Fuel Hose
6	842123	4	Elbow, 3/16" Hose by 1/8" NPT, Air & Fuel
7	909427K	1	Pump, Fuel
8	842020	7 ft.	Hose, Air & Fuel, 3/16" ID, per foot
9	067528	4	Washer, 1/4"
10	029526	2	Lockwasher, 1/4"
11	922224	2	Screw, 1/4" NC by 1/2" Hex HD
12	935722K	1	Compressor, XL1500, 12V
	935826K	1	Compressor, XL1500, 24V
13	929121	1	Clamp, Compressor Mounting, (c/w nut)
14	706728	2	Nut, Self Locking, 1/4" NF
15	999669	4	Screw, 1/4" NC by 1/2" Socket HD

ITEM	PART#	QTY	DESCRIPTION
16	921221	3"	Hose, Coolant 3/4" ID, per foot
17	962823	2	Clamp, Oetiker, Screw
18	940326K	1	Pump, Coolant, CP1800, 12V c/w: Hose clamps (2), Clamp (1), cushioned
	942820K	1	Pump, Coolant, CP1800, 24V c/w: Hose clamps (2), Clamp (1), cushioned
19	904921	1	Elbow, 3/4" Hose by 1/2" NPT
20	933821	1	Bracket, Fuel Pump, MK II
21	937126	1	Fitting, 'Y', 3/16" Hose
22	937220	2	Fitting, 3/16" Hose by 1/8" NPT
23	962128	1	Elbow, 1/4" NPTF - 1/8" NPTM
24	944026	1	Harness Adapter, Water Pump, (Allows an alternate water pump to be connected to the Proheat wiring harness.)
25	962221	1	Fitting Adapter, 1/4" NPT
26	840429	5	Clamp, Spring, Green, Air

* Refer to part update bulletin # PB0003 regarding fuel pump replacement

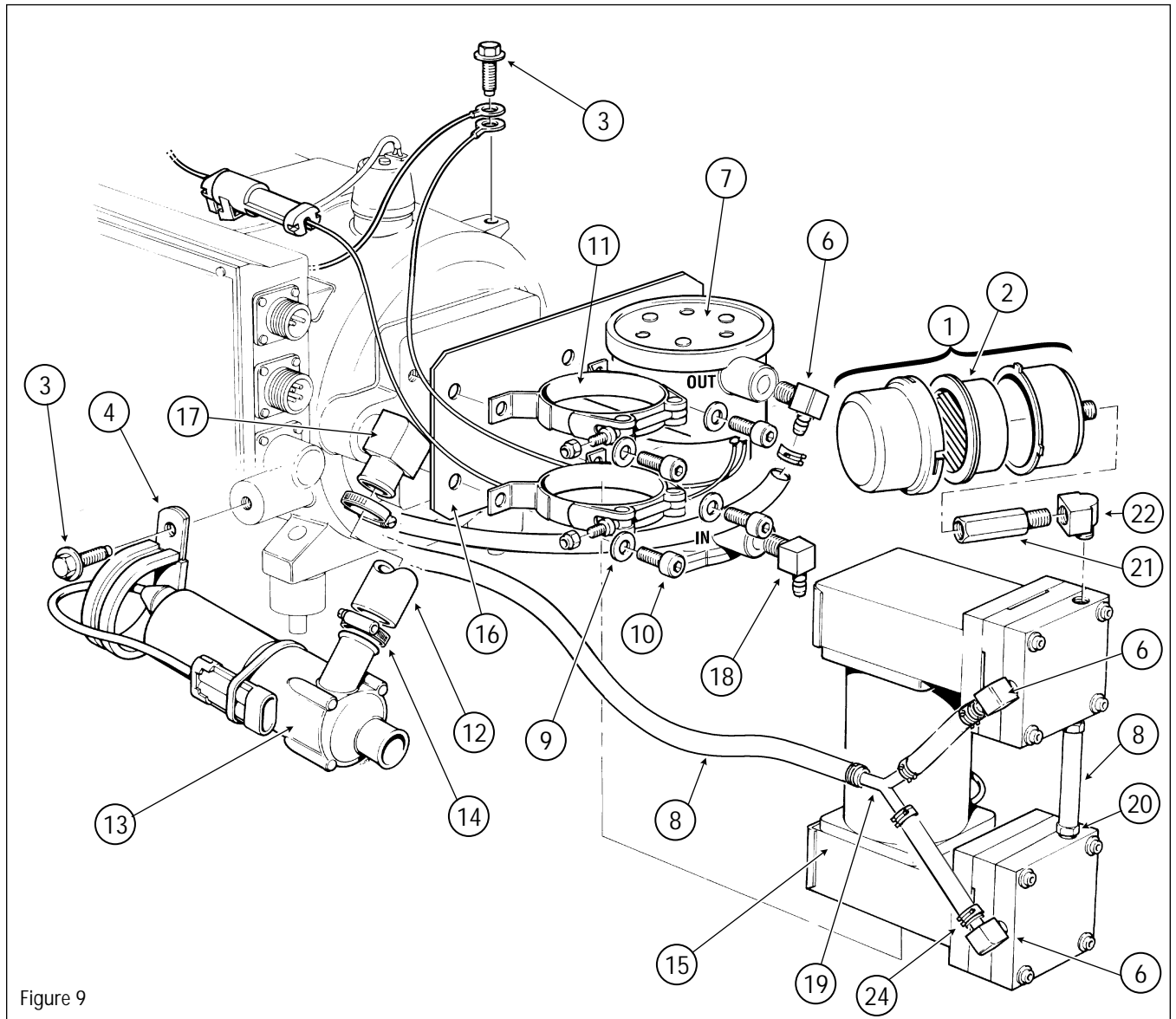


Figure 9

ITEM	PART#	QTY	DESCRIPTION
1	936227	1	Filter, Air, MK II, c/w Element
2	953420	1	Filter, Air, MK II, Replacement Element Only
3	903628	2	Screw, Hex Flange, 1/4" NC by 5/8"
4	943828	1	Clamp, Tfx Circulating Pumps
5	934325	1	Clamp, Fuel Hose
6	842123	3	Elbow, 3/16" Hose by 1/8" NPT, Air & Fuel
7	909501K	1	Pump, Fuel 24V 'E' c/w Fittings & Nuts
8	842020	7 ft.	Hose, Air & Fuel, 3/16" ID, per foot
9	029526	4	Lockwasher 1/4"
10	999669	4	Screw, 1/4" NC by 1/2" Socket HD
11	929121	2	Clamp, Compressor Mounting (c/w nut)
12	921221K	3"	Hose, Coolant 3/4" ID, per foot
13	942820K	1	Pump, Coolant, CP1800, 24V c/w: Hose Clamps (2), Clamp, Pump (1)

ITEM	PART#	QTY	DESCRIPTION
14	962823	2	Clamp, Oetiker, Screw
15	935826K	1	Compressor, XL1500 24V
16	933825	1	Bracket, Fuel Delivery
17	938928	2	Nut 1/4" NC Jam plated
18	912025	1	Elbow 1/4" Hose x 1/8" NPT
19	937126	1	Fitting "Y" 3/16" Hose
20	937220	2	Fitting, 3/16" Hose by 1/8" NPT
21	962221	1	Fitting, Adapter, 1/4" NPT
22	962128	1	Elbow, 1/4" NPT- 1/8" NPT
23	904921	1	Elbow 3/4" Hose-1/2" NPT
24	840429	5	Clamp, Spring, Green, Air

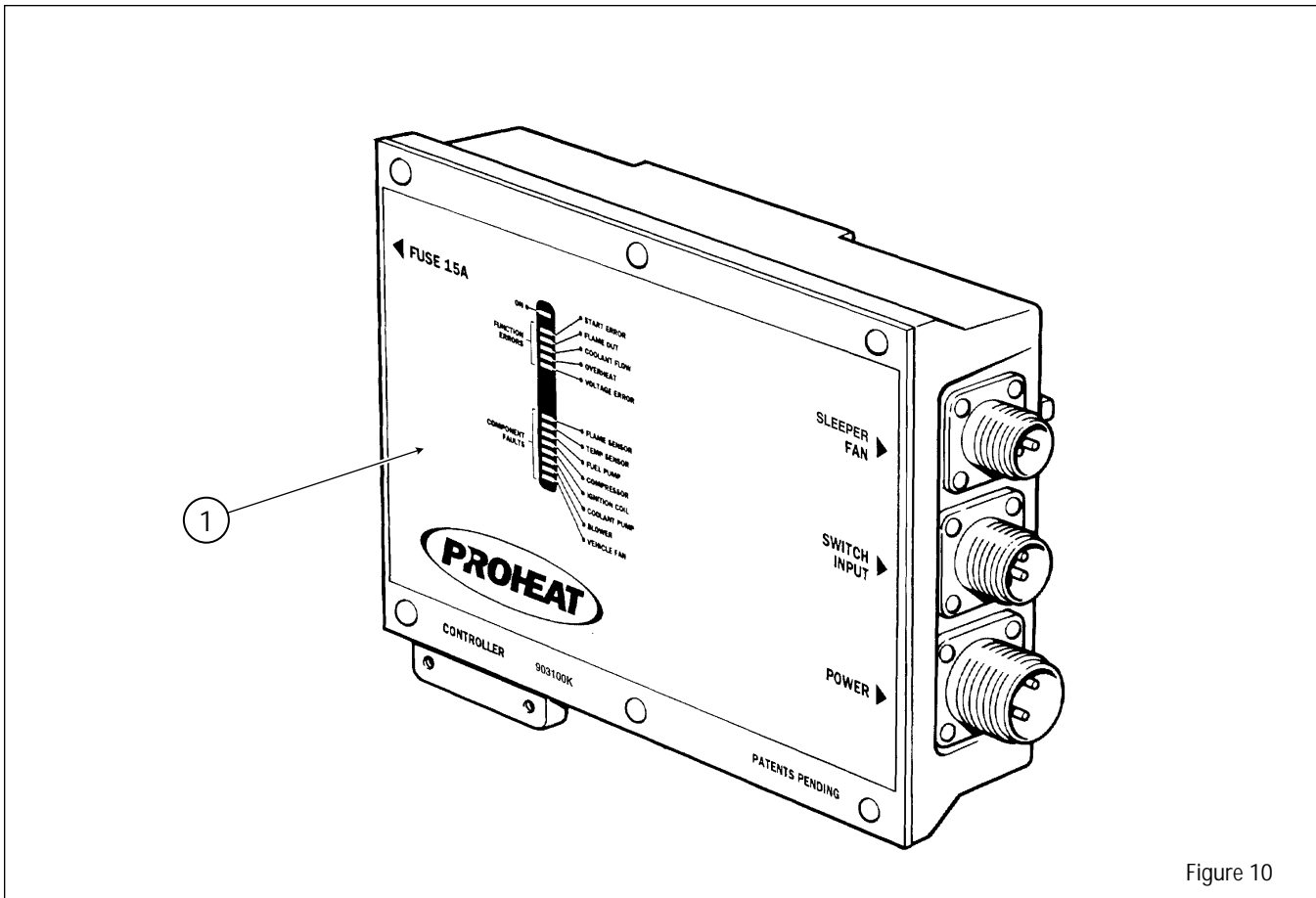


Figure 10

APPLICATION	XL900 12V	XL900 24V	XL1500 12V	XL1500 24V
Trucks with or without Sleeper Kit	903100K	N/A	N/A	N/A
Transit or Coach	985628K	985628K	985628K	985628K
School	903100K	905300K	904200K	905300K
Heavy Equipment	903100K	905300K	904200K	905300K

ITEM	PART#	QTY	DESCRIPTION
1	903100K	1	PCM, Standard, 12 Volt Note: Used in all XL 900-12 volt systems (except Transit). Includes sleeper fan output connector. NOT TO BE USED ON XL 1500-12 VOLT PROHEATS.
1	904200K	1	PCM, Auxiliary Input, 12 Volt Note: Used in all XL1500-12 volt and XL 900-12 volt Transit/Coach applications. Includes auxiliary-input connector for optional transit use.
1	905300K	1	PCM, Auxiliary Input, 24 Volt Note: Used in all 24 volt applications. Includes auxiliary-input connector for optional transit use.

ITEM	PART#	QTY	DESCRIPTION
Note: Earlier model PCM's (part numbers: 90142K, 946520K and 985628K) could be used with either 12 or 24 volt systems. When replacing one of these earlier PCM's it is essential to know the model and voltage of the Proheat onto which the new PCM will be installed.			



SERVICE
PARTS
CATALOG

FOR MODEL: XL900 MARK I

SERIAL NUMBERS: A0001 - A0999
B0001 - B0199

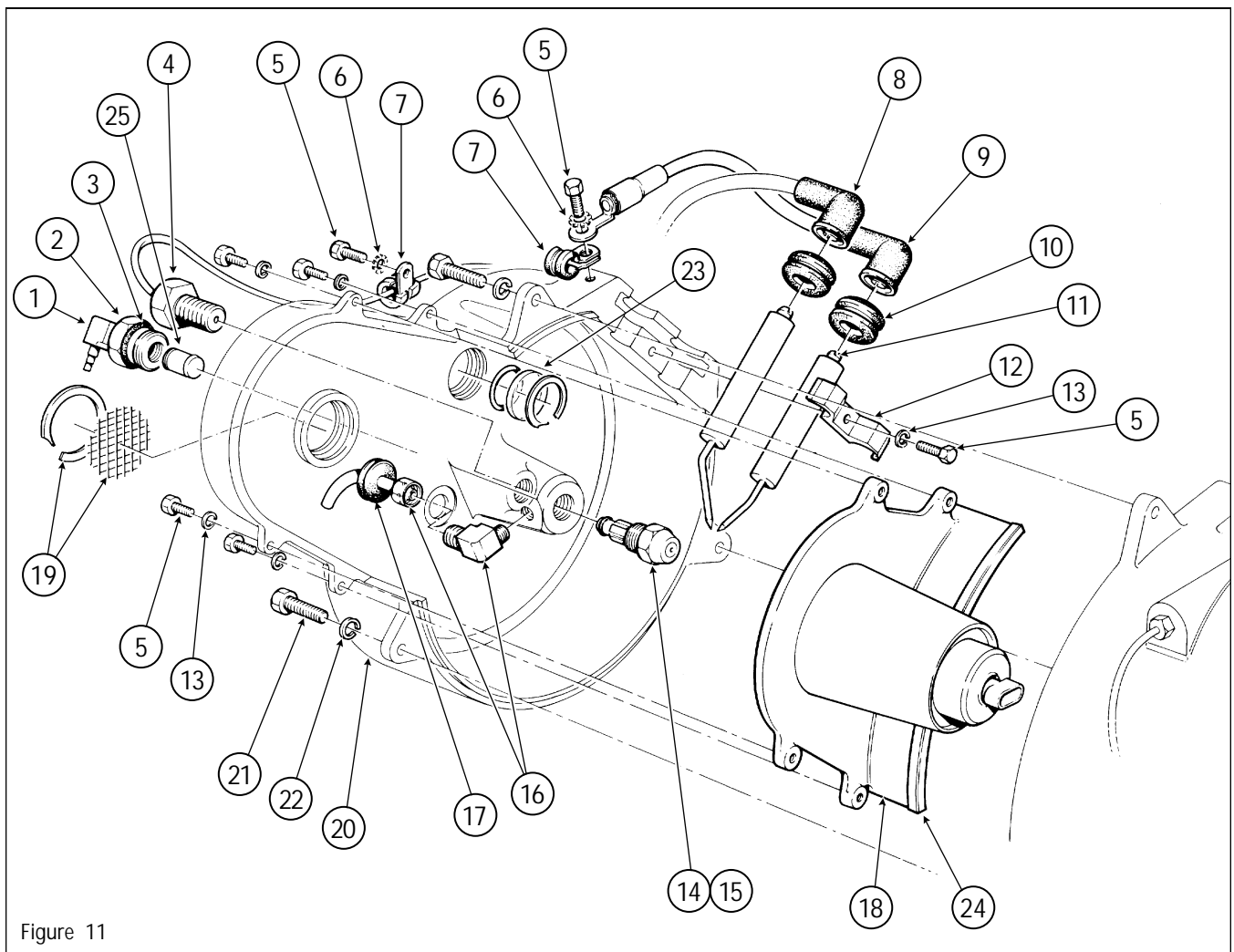


Figure 11

ITEM	PART#	QTY	DESCRIPTION
1	842123	1	Elbow, 3/16" Hose by 1/8" NPT, Air & Fuel
2	920229	1	Adapter, Fuel Strainer
3	906024	1	O-Ring, Fuel Strainer Adapter
4	954329	1	Sensor, Flame
5	922121	7	Screw, 10-24 NC by 1/2" Hex HD
6	703720	2	Washer, #10
7	936725	2	Clamp, Cushioned 3/8" ID
8	930521	1	Lead, Ignition Electrode with Boot, MK I
9	918821	1	Lead, Ground Electrode, MK I
10	903825	2	Grommet, Electrode, MK I
11	928023	2	Electrode, Ignition, MK I
12	916223	1	Clamp, Electrode, MK I
13	020625	5	Lockwasher, #10
14	928428K	1	Nozzle, Fuel, XL900, 30609-30 (c/w O-Ring)

ITEM	PART#	QTY	DESCRIPTION
15	221442	1	O-Ring, Nozzle
16	844627K	1	Air Inlet Tube & Fitting
17	924427	1	Grommet, Air Line
18	909925K	1	Blower, XL900, 12V, MK I
	928926K	1	Blower, XL900, 24V, MK I
19	964321K	1	Screen, Blower Inlet Kit
20	908227	1	Fan End Casting, MK I
21	037024	3	Screw, 1/4" NC by 3/4" Hex HD
22	029526	3	Lockwasher, 1/4"
23	844721K	1	Sight Glass Kit
24	843624	1 ft	Seal Strip, Blower, MK I, per foot
25	919823	1	Fuel Strainer

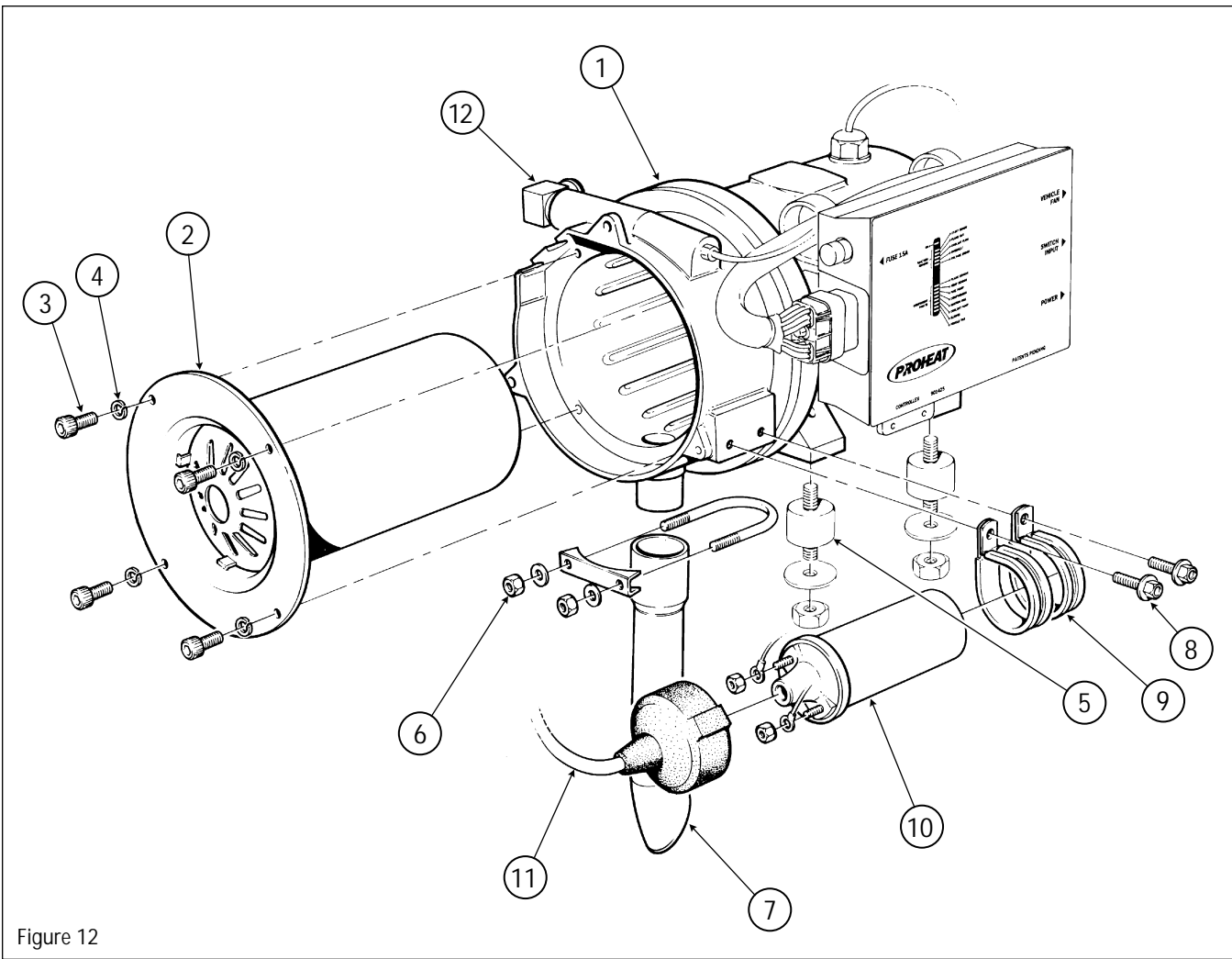


Figure 12

ITEM	PART#	QTY	DESCRIPTION
1	918322	1	Heat Exchanger, with Elbows. MKI
2	844222	1	Combustion Tube, XL900 -12V/24V
	844200	1	Combustion Tube, XL1500-12V/24V
3	923123	4	Screw, 10-24 NC by 1/2", Socket HD
4	020625	4	Lockwasher, #10
5			See Page 23
6	909521	1	Clamp, Exhaust Pipe
7	845028	1	Exhaust Pipe, 10" long
8	903628	2	Screw, Hex Flange, 1/4" NC by 5/8"
9	936829	2	Clamp, Cushioned 2 1/16" ID
10	913526K	1	Coil, Ignition
11	930521	1	Lead, Ignition Electrode with boot
12	904921	1	Elbow, 3/4" Hose by 1/2" NPT

ITEM	PART#	QTY	DESCRIPTION

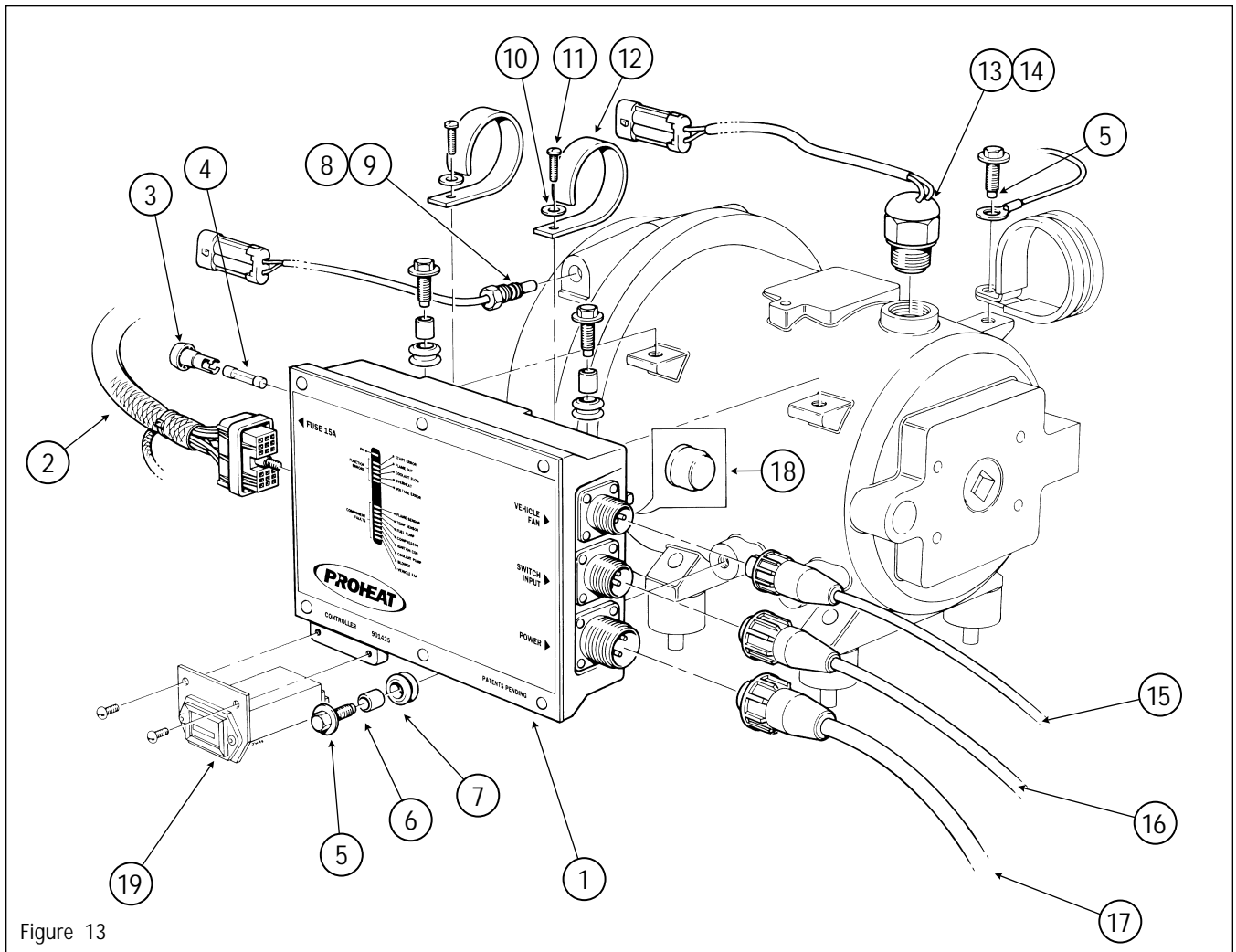


Figure 13

ITEM	PART#	QTY	DESCRIPTION
1			PCM, (see page 8)
2	934128	1	Harness, Main Internal
3	900001K	1	Fuse Holder Kit
4	921823	1	Fuse, 15A
5	903628	4	Screw, Hex Flange, 1/4" NC by 5/8"
6	920821	3	Spacer, Controller
7	905229	3	Grommet, Controller Mount
8	901124	1	Sensor, Temperature
9	905821	1	O-Ring, Temperature Sensor
10	703720	2	Washer, #10
11	934429	2	Screw, 10-24 NC by 5/8" Hex HD
12	934626	2	Clip, Wire Harness
13	901021	1	Sensor, Overheat
14	917724	1	O-Ring, Overheat
15	903026	1	Harness, Sleeper Fan, 30' (2 pin)
16	903120	1	Harness, Switch, 25' (4 pin)
17	903223	1	Harness, Power, 15' (3 pin)
18	931327	1	Cover, Connector

ITEM	PART#	QTY	DESCRIPTION
			OPTION
			HOUR METER KIT
19	PK0051	1	Hour Meter Kit

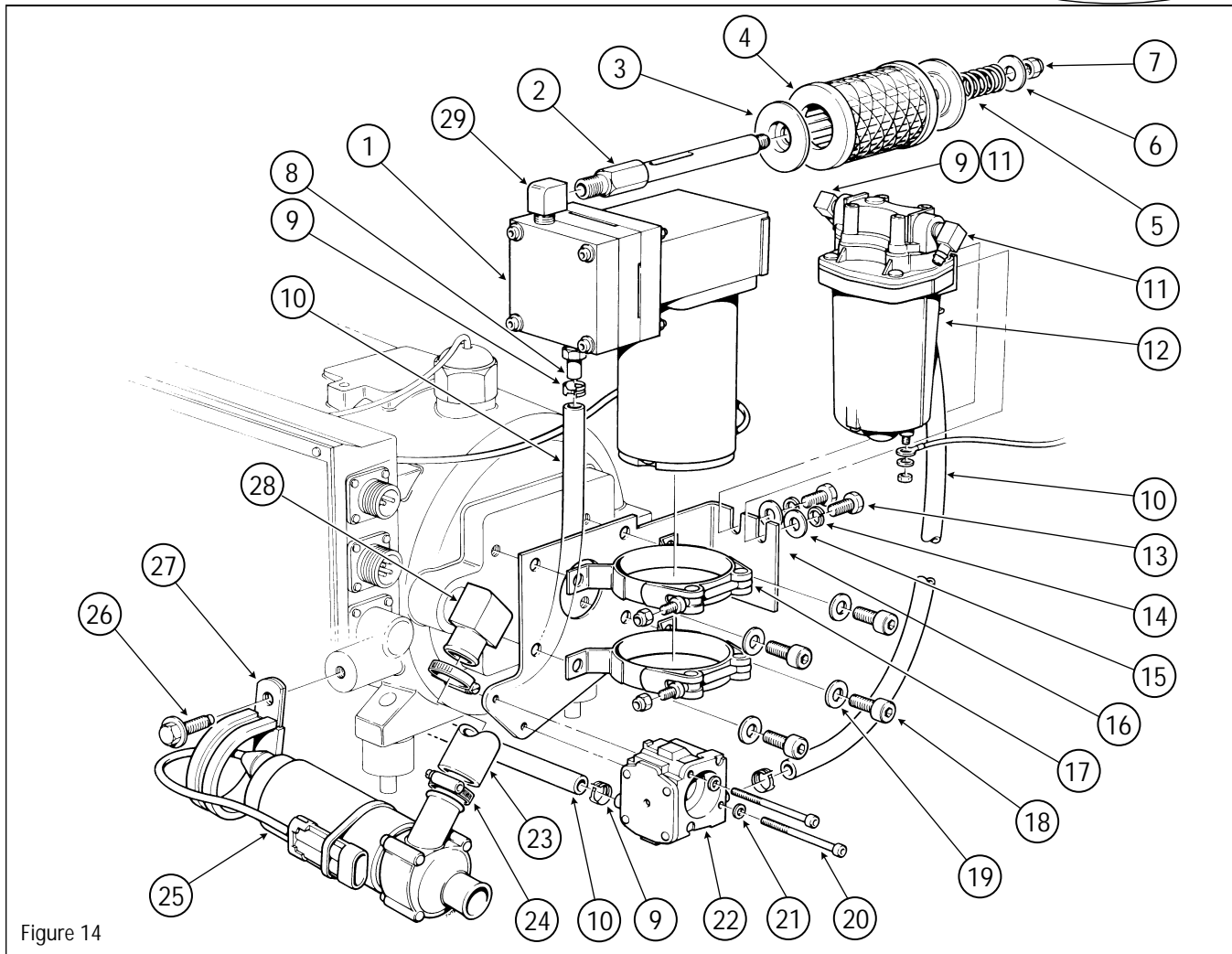


Figure 14

ITEM	PART#	QTY	DESCRIPTION
1	911728K	1	Compressor, XL900, 12V
	928822K	1	Compressor, XL900, 24V
2	913620	1	Tie Rod, Compressor, MK I
3	913723	2	End Cap, Compressor, MK I
4	911220	1	Air Filter, MK I Replacement element only
5	919429	1	Spring, Compressor, MK I
6	201626	1	Washer 5/16", Compressor
7	113820	1	Nut, Self Locking, 5/16" NC
8	842321	1	Fitting 3/16" Hose by 1/8" NPT
9	934325	6	Clamp, Fuel Hose
10	842020	5 ft	Hose, Air & Fuel, 3/16" ID, per foot
11	842123	2	Elbow, 3/16" Hose by 1/8" NPT, Air & Fuel
12	909427K	1	Pump, Fuel
13	922224	2	Screw, 1/4" NC by 1/2" Hex HD
14	029526	2	Lockwasher, 1/4"
15	067528	2	Washer, 1/4"
16	906626	1	Bracket, Fuel Pump, MK I

ITEM	PART#	QTY	DESCRIPTION
17	902926	2	Clamp, Compressor Mounting (c/w nut)
18	922328	4	Screw, 1/4" NC by 5/8" Socket HD
19	029526	4	Lockwasher, 1/4"
20	922421	2	Screw, 10-24 NC by 2" Socket HD
21	020625	2	Lockwasher, #10
22	906128	1	Regulator, Fuel, MK I
23	921221	3"	Hose, Coolant, 3/4" ID, per foot
24	962823	2	Clamp, Oetiker, Screw
25	940326K	1	Pump, Coolant, CP1800, 12V c/w: (2) Hose clamps (1) Clamp, cushioned
	942820K	1	Pump, Coolant, CP1800, 24V c/w: (2) Hose clamps (1) Clamp, cushioned
26	903628	1	Screw, Hex Flange 1/4" NC by 5/8"
27	943828	1	Clamp, Tfx circulating pump
	905322	1	Clamp, Cushioned 1 11/16" ID (for Johnson pumps)
28	904921	1	Elbow, 3/4" Hose by 1/2" NPT
29	922920	1	Elbow, 1/4" NPT (F) to 1/8" NPT (M)



ACCESSORIES

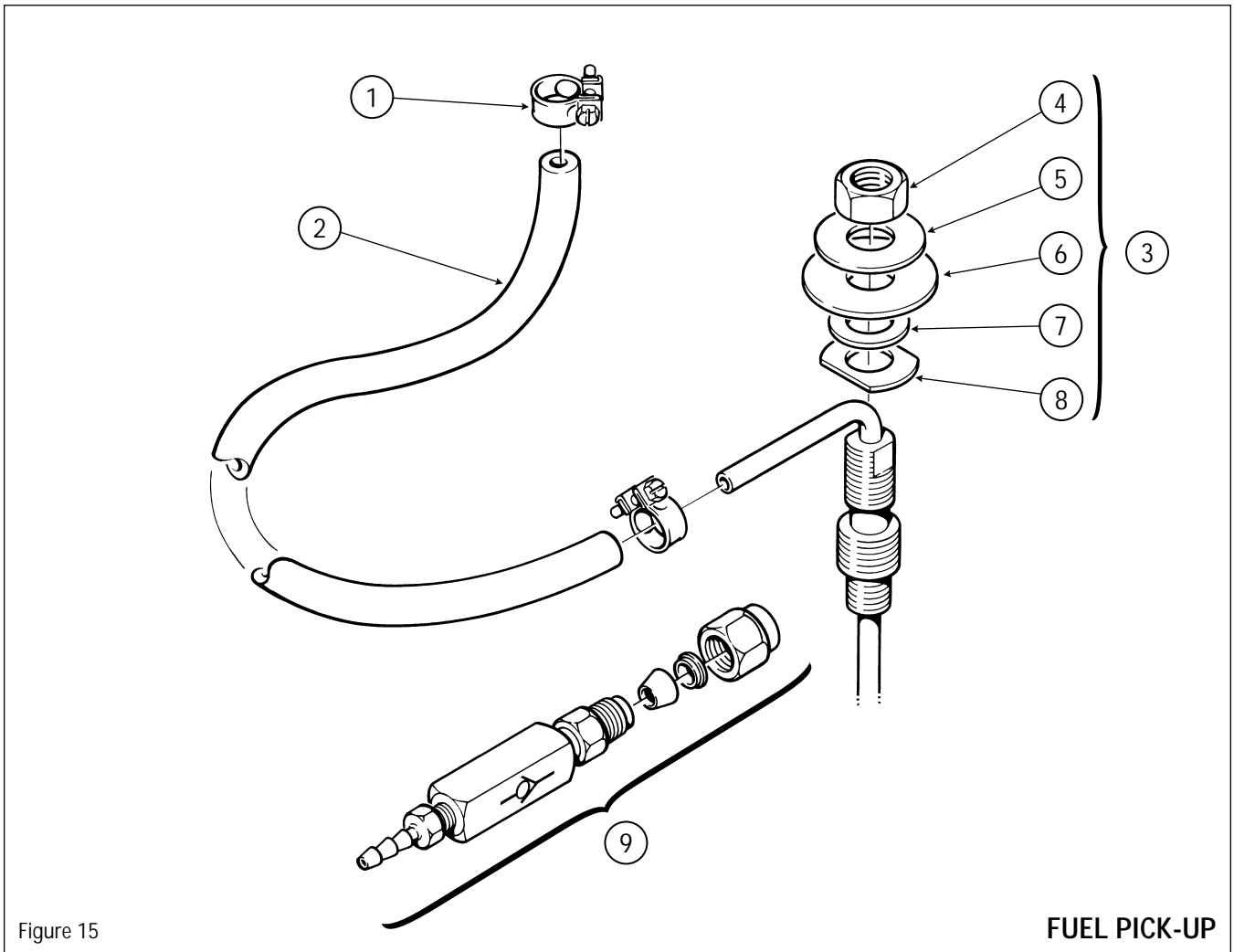


Figure 15

FUEL PICK-UP

ITEM	PART#	QTY	DESCRIPTION
1	934325	2	Clamp, Air & Fuel Hose
2	842020	15 ft.	Hose, Air & Fuel, 3/16" ID, per foot
3	841027-2	1	Fuel Pick-up 24", Assembly (standard)
	980624	1	Fuel Pick-up 12", Assembly (optional)
	979420	1	Fuel Pick-up 36", Assembly (optional)

ITEM	PART#	QTY	DESCRIPTION
Fuel Pick-up consists of:			
4	840626	1	Nut 5/8" NF
5	841224	1	Washer, Top
6	841328	1	Gasket, Fuel Pick-Up
7	841722	1	Washer, 5/8" ID by 1" OD
8	841121	1	Washer, Bottom
OPTION			
CHECK VALVE, FUEL			
9	PK0059		Check Valve, Fuel

**ACCESSORIES:
ALL XL900'S**

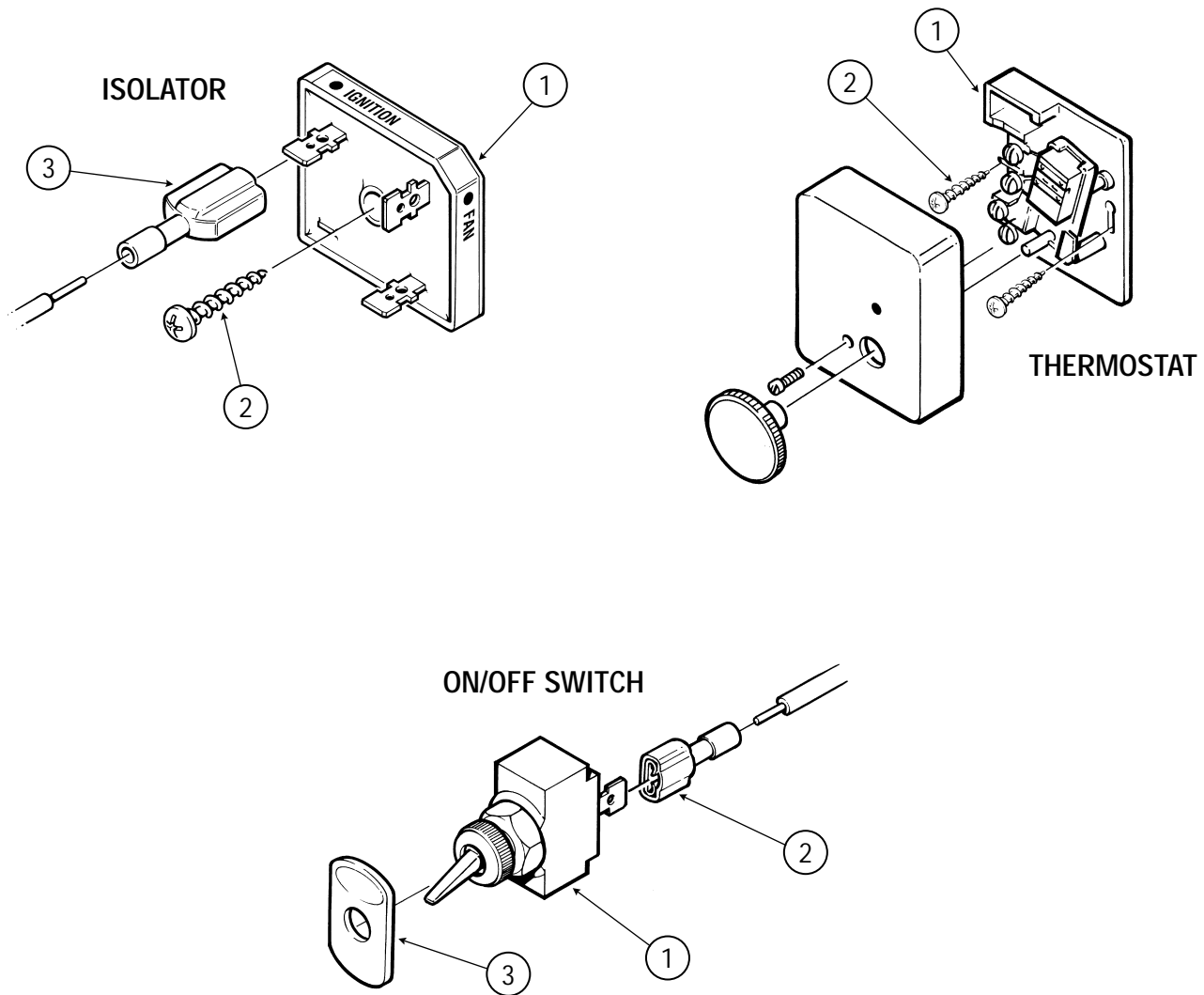


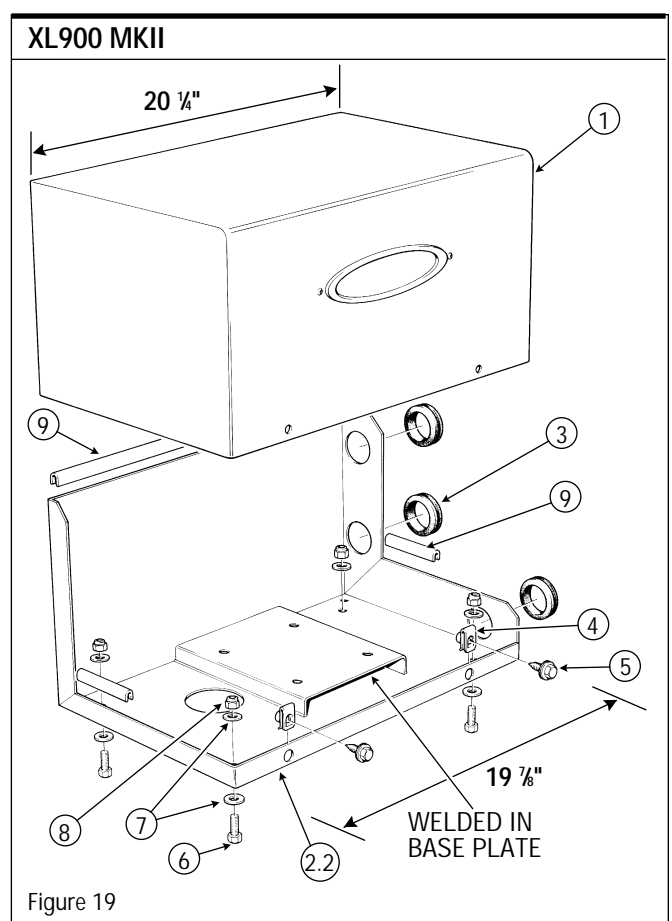
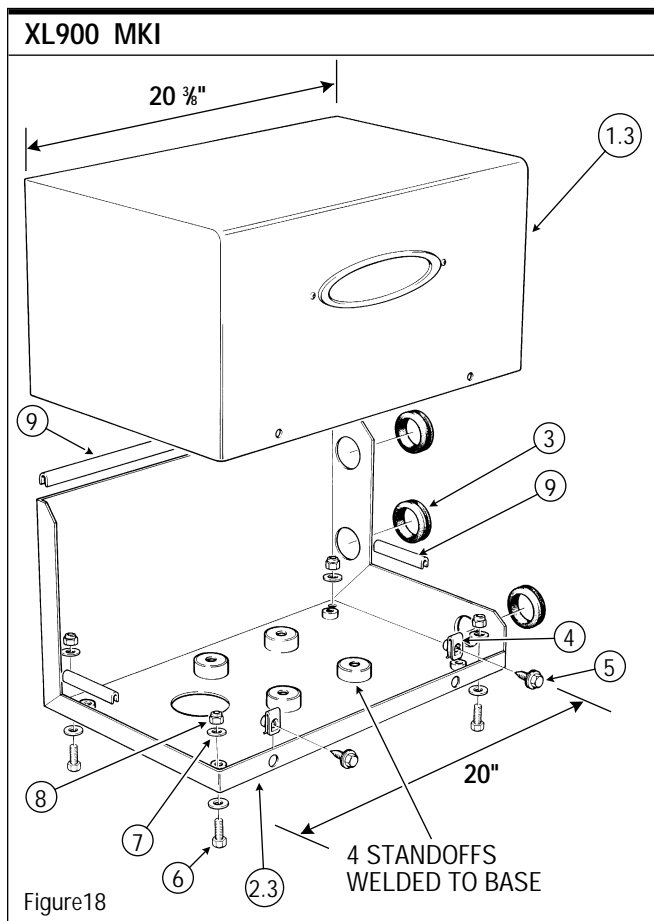
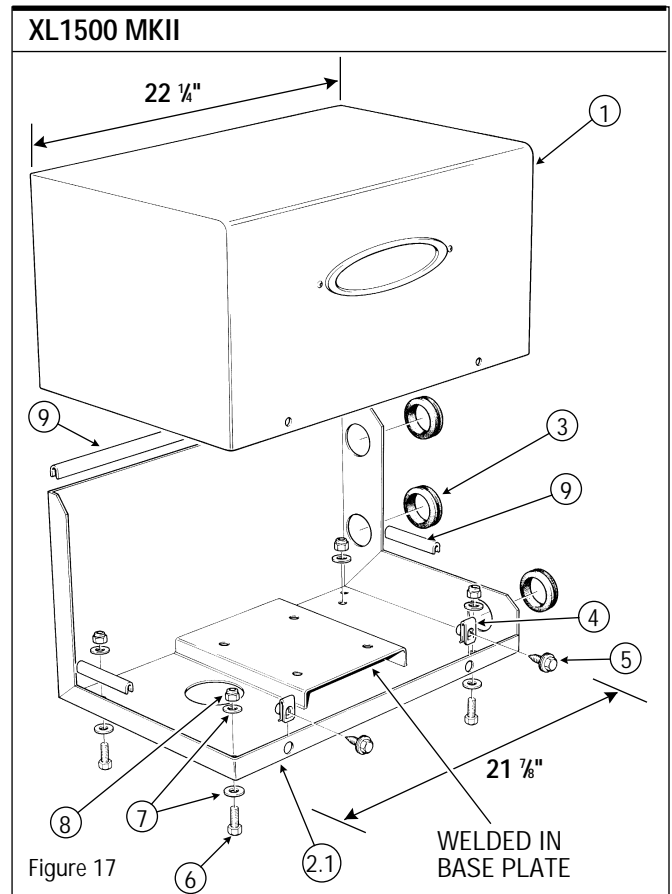
Figure 16

ITEM	PART#	QTY	DESCRIPTION
THERMOSTAT			
1	3822248	1	Thermostat
2	040328	2	Screw, Wood, #8 by 1"
ISOLATOR			
1	844326	1	Isolator, Sleeper Fan with Decal
2	040328	1	Screw, Wood, #8 by 1"
3	769125	3	Connector, 1/4" Female Spade

ITEM	PART#	QTY	DESCRIPTION
ON/OFF SWITCH			
1	920125	1	Switch, On/Off 12V
	842725	1	Switch, On/Off 24V
2	769125	4	Connector, 1/4" Female Spade
3	919626	1	Decal, Toggle Switch

ITEM	PART#	QTY	DESCRIPTION
For use with single piece isolators. See page 19, Figure 23, Part #844523K (item 2)			
1.1	939526	1	Enclosure Lid, XL1500, c/w Logo
1.2	916524	1	Enclosure Lid, XL900, c/w Logo
1.3	944825	1	Enclosure Lid, XL900, c/w Logo
2.1			Use 939422-2 (pg. 22 fig. 21)
2.2			Use 916421-1 (pg. 22 fig. 20)
2.3			Use 916421-1 (pg. 22 fig. 20)
3	903929	3	Grommet, 1 1/2" ID
4	929628	2	Panel Nuts, Enclosure Base
5	845422	2	Screw, Hex Flange 5/16" NC by 1"
6	923829	4	Screw, 5/16" NC by 1 1/4"
7	010924	8	Washer 5/16"
8	113820	4	Nut, Self Locking, 5/16" NC
9	926921	2 1/2 ft.	Weather Seal, Enclosure, per foot

*OBSOLETE, SEE XL900/XL1500 ENCLOSURES TYPE B (PAGE 22)



Serial Numbers A0000 to A0250 and B0000 to A0250

Serial Numbers A0251 to Date and B0101 to Date

ACCESSORIES: ENCLOSURES XL900 & XL1500 MKII



XL900 ENCLOSURE USES 2 PIECE MOUNTS

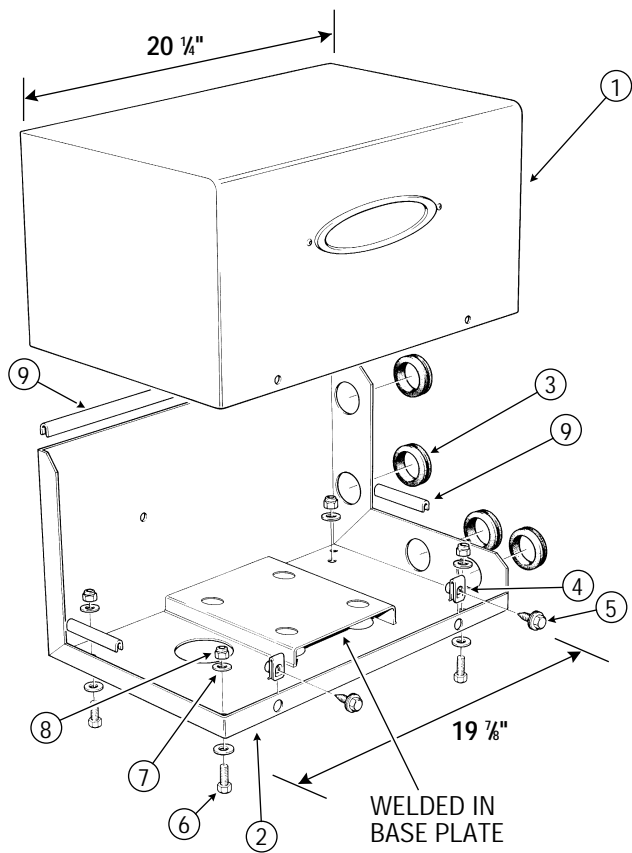


Figure 20

XL1500 ENCLOSURE USES 2 PIECE MOUNTS

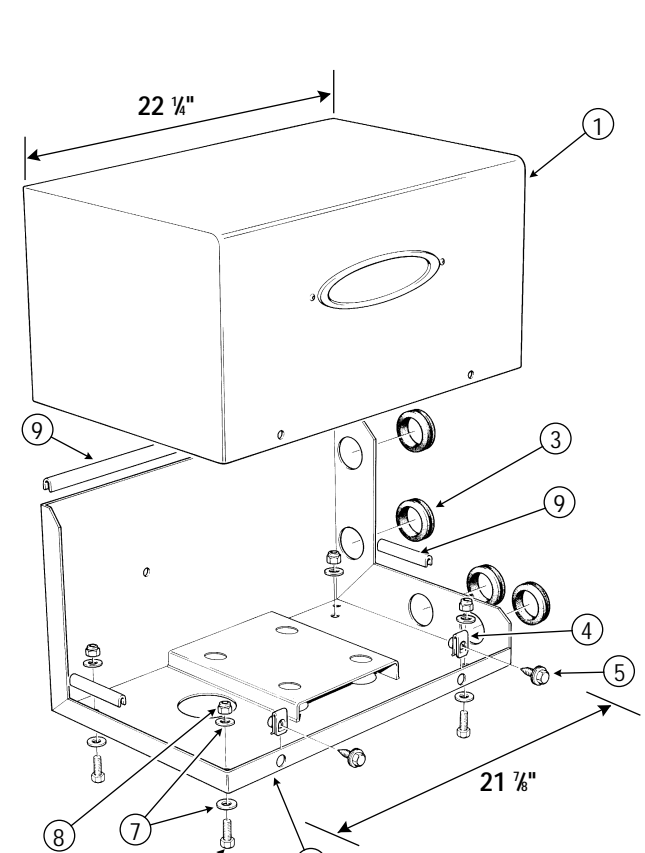


Figure 21

ITEM	PART#	QTY	DESCRIPTION
1	916524	1	Enclosure Lid, XL900, c/w Logo
2	916421-1	1	Enclosure, Base, XL900*
3	903929	4	Grommet, 1 1/2" ID
4	929628	2	Panel Nuts, Enclosure Base
5	845422	2	Screw, Hex Flange 5/16" NC by 1"
6	923829	4	Screw, 5/16" NC by 1 1/4"
7	010924	8	Washer 5/16"
8	113820	4	Nut, Self Locking, 5/16" NC
9	926921	2 1/2 ft.	Weather Seal, Enclosure, per foot

ITEM	PART#	QTY	DESCRIPTION
1	939526	1	Enclosure Lid, XL1500, c/w Logo
2	939422-2	1	Enclosure, Base, XL1500*
3	903929	4	Grommet, 1 1/2" ID
4	929628	2	Panel Nuts, Enclosure Base
5	845422	2	Screw, Hex Flange 5/16" NC by 1"
6	923829	4	Screw, 5/16" NC by 1 1/4"
7	010924	8	Washer 5/16"
8	113820	4	Nut, Self Locking, 5/16" NC
9	926921	2 1/2 ft.	Weather Seal, Enclosure, per foot

ENCLOSURE LID OPTION

954526	1	Enclosure Lid, Plain, XL1500
--------	---	------------------------------

* These enclosures use the 2 piece mounts only. Refer to page 23, figure 23, part #953346K



ACCESSORIES: MOUNTING PLATE FOR SINGLE MOUNTS TYPE A FOR XL900's & XL1500 MKII

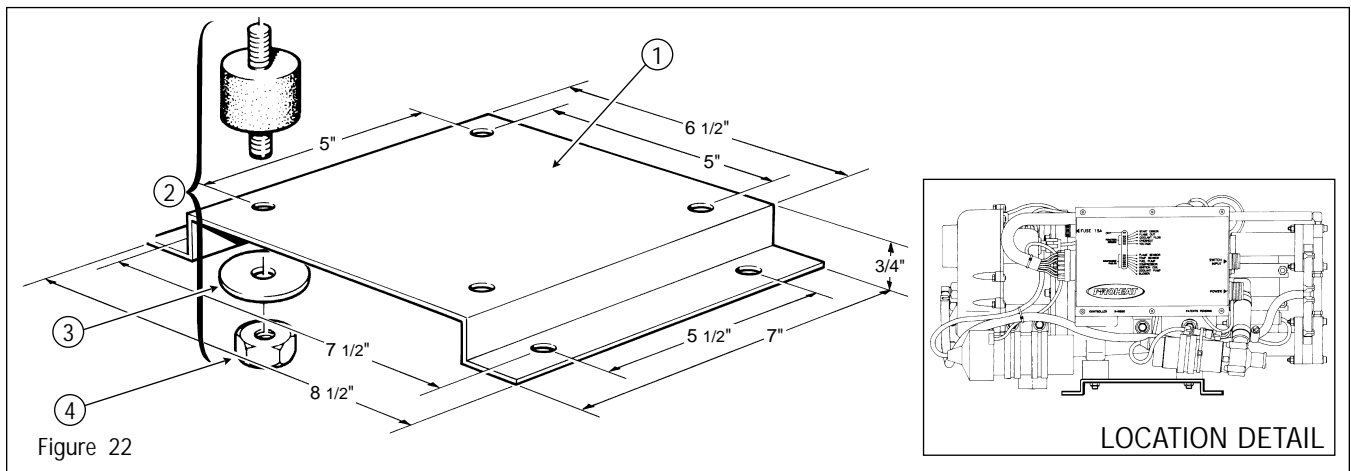


Figure 22

ITEM	PART#	QTY	DESCRIPTION
1	953025	1	Base Mounting Plate*
2	844523K	1	Rubber Mount (4/pkg) with Washer (4) and Nut (4)
3	010924	4	Washer, 5/16"
4	113820	4	Nut, self Locking, 5/16" NC
*Obsolete:			Order Part #953030 and Part #953346K (See figure 23 below)

ITEM	PART#	QTY	DESCRIPTION

ACCESSORIES: MOUNTING PLATE FOR 2 PIECE MOUNTS TYPE B FOR XL900's & XL1500 MKII

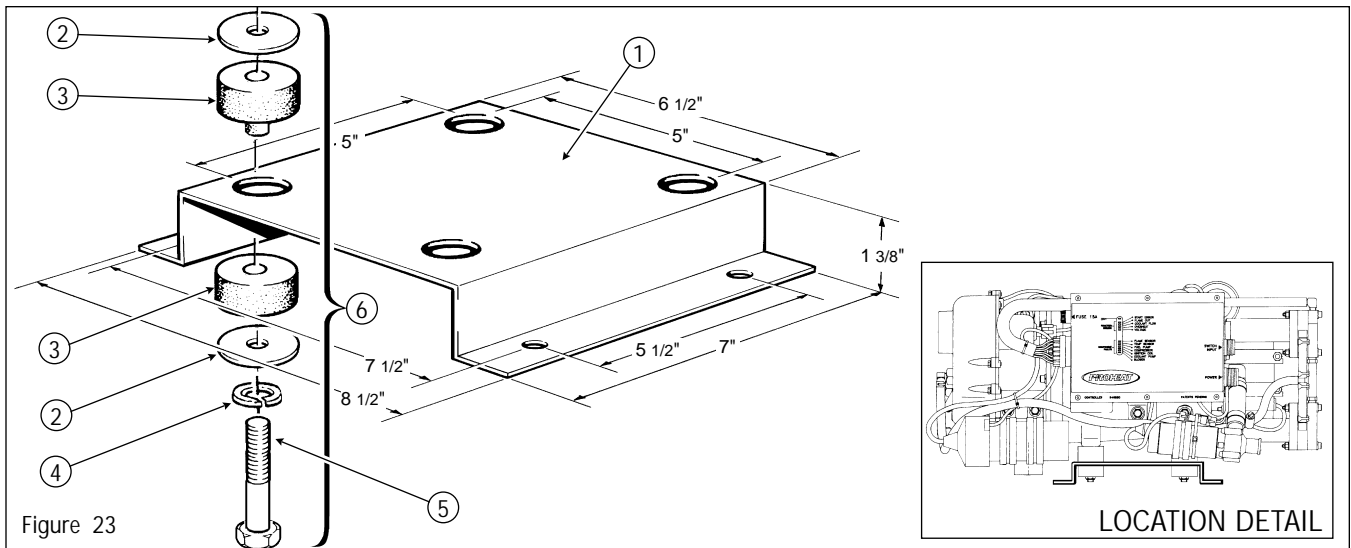


Figure 23

ITEM	PART#	QTY	DESCRIPTION
1	953030	1	Base Mounting Plate (2 pc. Isolator)
2	010901	8	Washer
3	931100	4	Isolator, 2 pc. (includes 2 parts)
4	700721	4	Lockwasher 5/16" Fender SS
5	790525	4	Screw 5/16" Zinc Pltd.
6	953346K	1	Rubber Mount Kit, 2 Piece c/w fastener -(4 per pkg.)

ITEM	PART#	QTY	DESCRIPTION

**ACCESSORIES: MOUNTING KITS
ALL XL900'S & XL1500 MK II**



SIDE FRAME

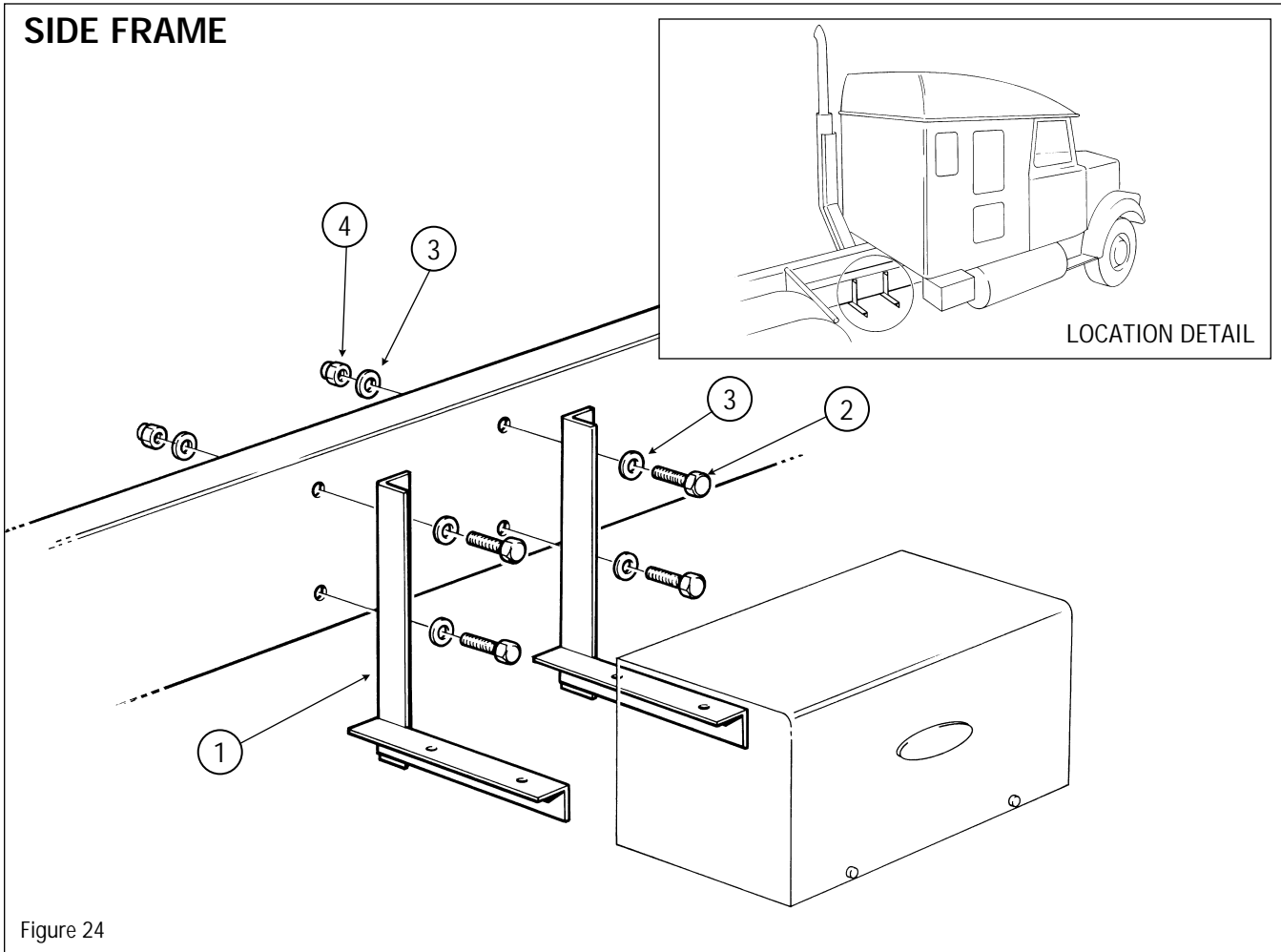


Figure 24

ITEM	PART#	QTY	DESCRIPTION
	PK0152		SIDE FRAME MOUNTING KIT

ITEM	PART#	QTY	DESCRIPTION
Kit contains:			
1		2	Bracket
2	945226	4	Screw, 3/8" NC by 1 1/2" Hex HD
3	113622	8	Washer 3/8" Flat
4	021421	4	Nut, Self Locking, 3/8" NC

ACROSS FRAME

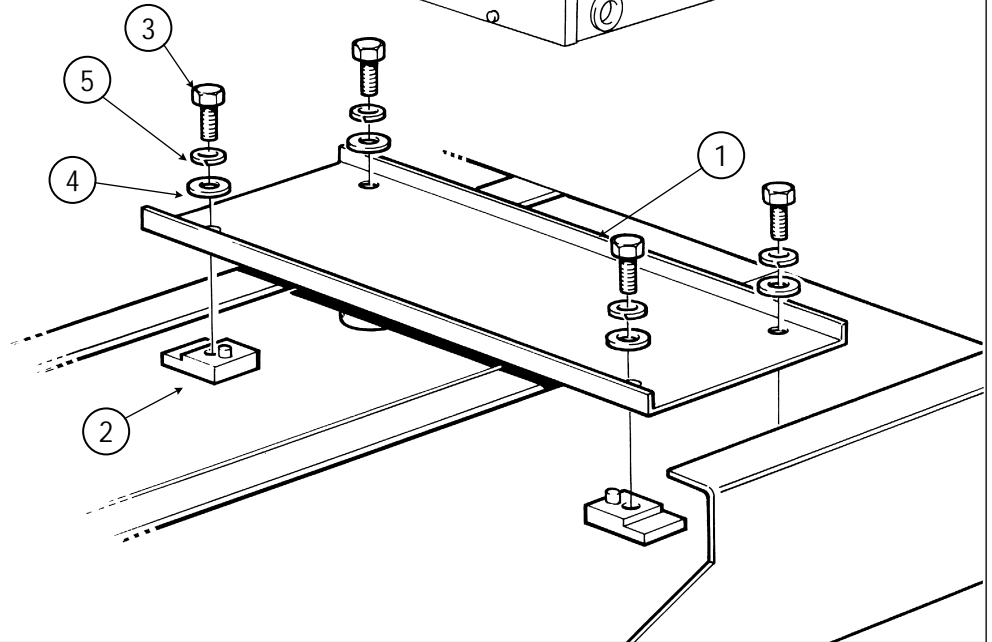
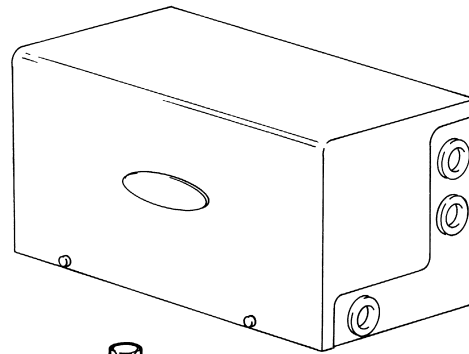
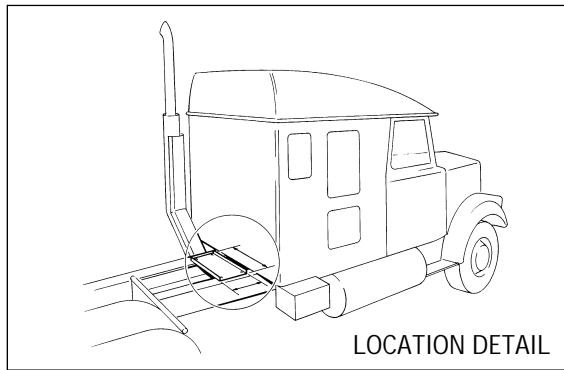


Figure 25

ITEM	PART#	QTY	DESCRIPTION
	PK0151	1	ACROSS FRAME MOUNTING KIT

ITEM	PART#	QTY	DESCRIPTION
Kit contains:			
1		1	Tray, Mounting
	3885564	4	CLAMP, ASSEMBLY, ACROSS FRAME MOUNT consisting of:
2		1	Block Clamp
3		1	Screw, 3/8" NC by 1" Hex HD
4		1	Washer 3/8" (per ass'y)
5		1	Lockwasher, 3/8"

**ACCESSORIES: TIMER
ALL XL900'S & XL1500 MK II**



ITEM	PART#	QTY	DESCRIPTION
1	PK0001	1	Timer, 7-day Digital c/w Installation Kit
2	961125	1	Installation Kit, Timer
			Kit Contains:
		2	Washer #8
		2	Nut, Hex #8-32
		1	Bracket, Mounting
		2	Screw, #8 x 1/2" Self Tapping
		2	Stud #8-32 x 1" Skt. Hd.
		4	Velcro, Duallock
		1	Wire, Backlight c/w Connector

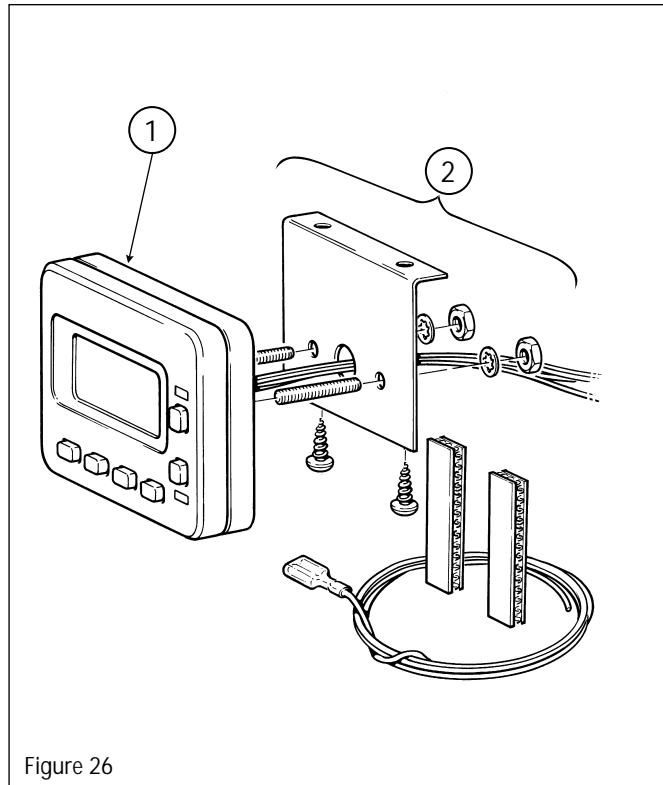


Figure 26

**ACCESSORIES:
GROUND WIRE IN-LINE FUSE (INTERNAL HARNESS)**

ITEM	PART#	QTY	DESCRIPTION
1	PK0310	1	Ground Wire in-line Fuse

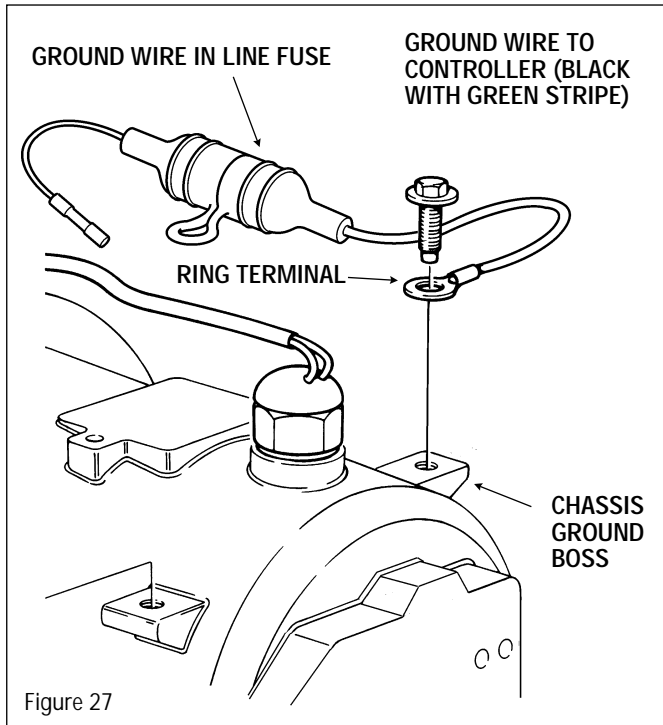


Figure 27



TEST EQUIPMENT
& SPECIAL TOOLS

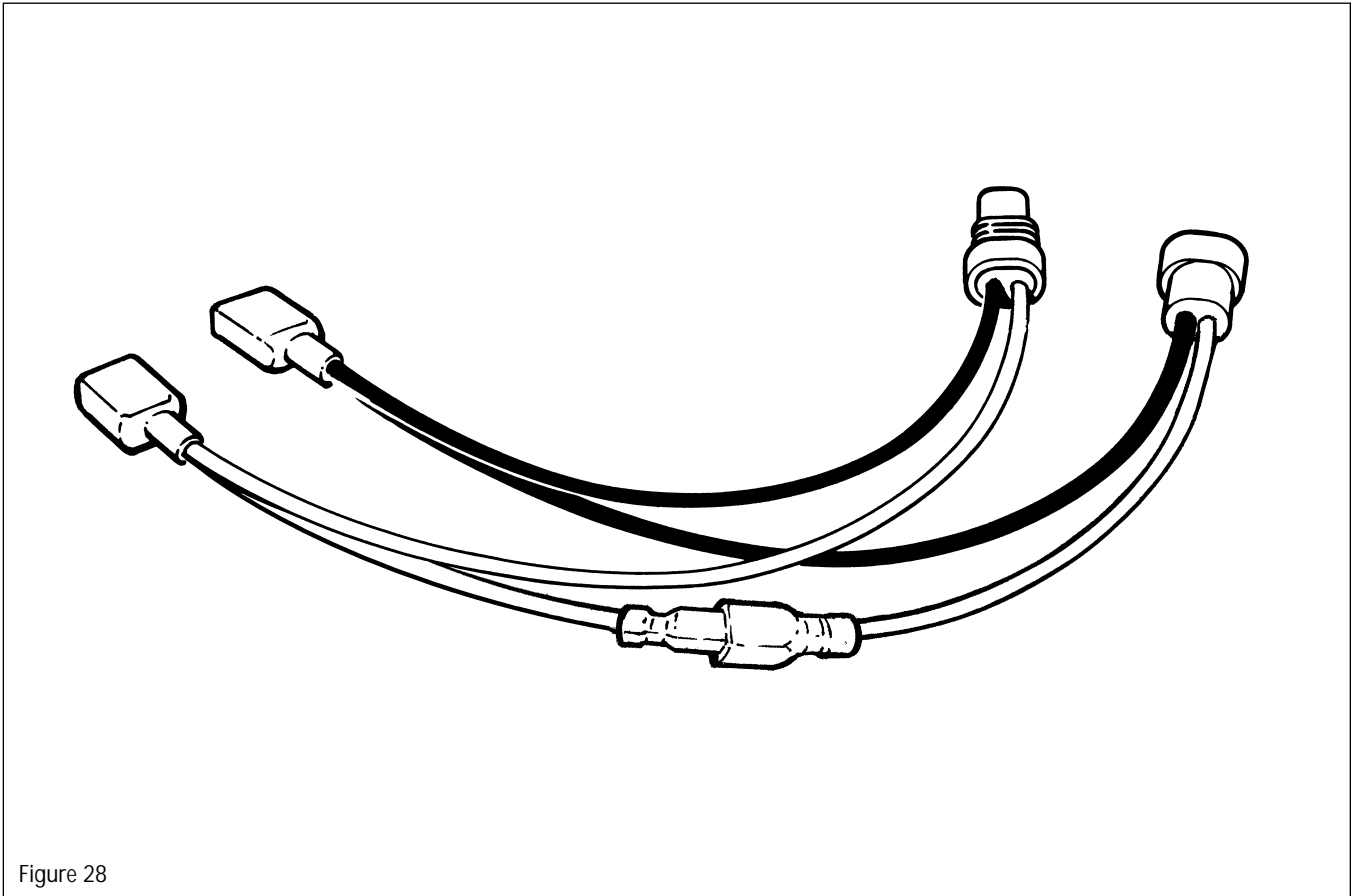


Figure 28

ITEM	PART#	QTY	DESCRIPTION
	967422		Test lead, Blower
	967921		Test Lead, Main Harness
<p>These leads allow the user to:</p> <ul style="list-style-type: none"> • apply power to components from a remote source • check the internal resistance of components • check component voltages using a multimeter • check components amperage using a multimeter 			

ITEM	PART#	QTY	DESCRIPTION

TEST EQUIPMENT & SPECIAL TOOLS:
XL900 MK II & XL1500 MK II

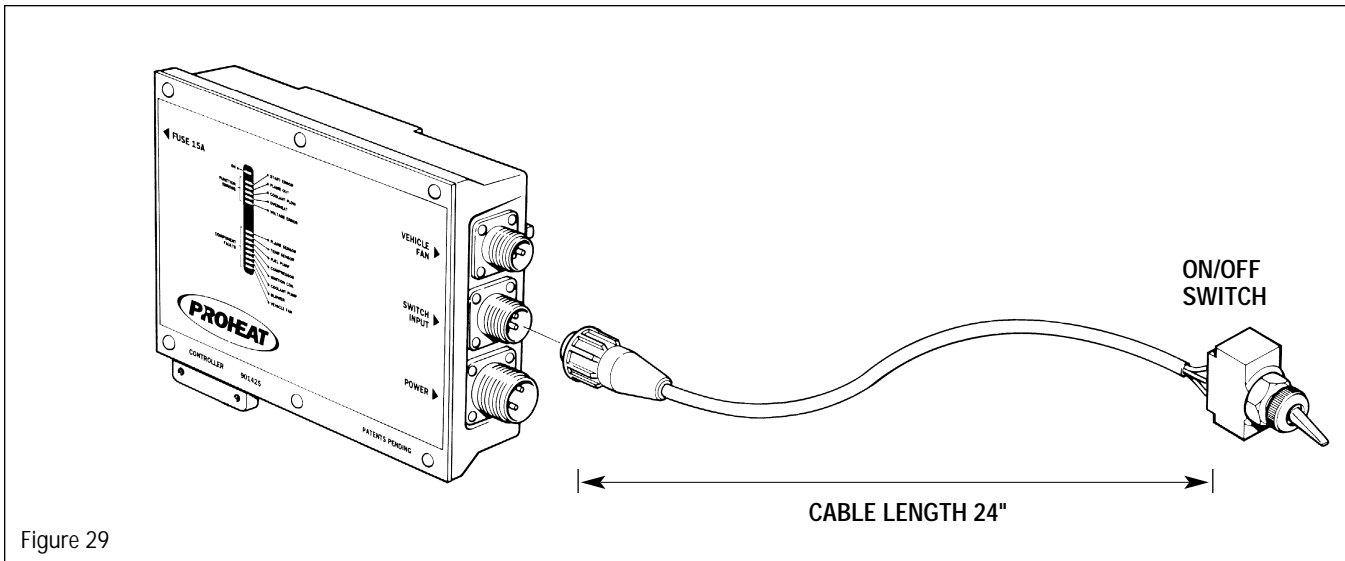
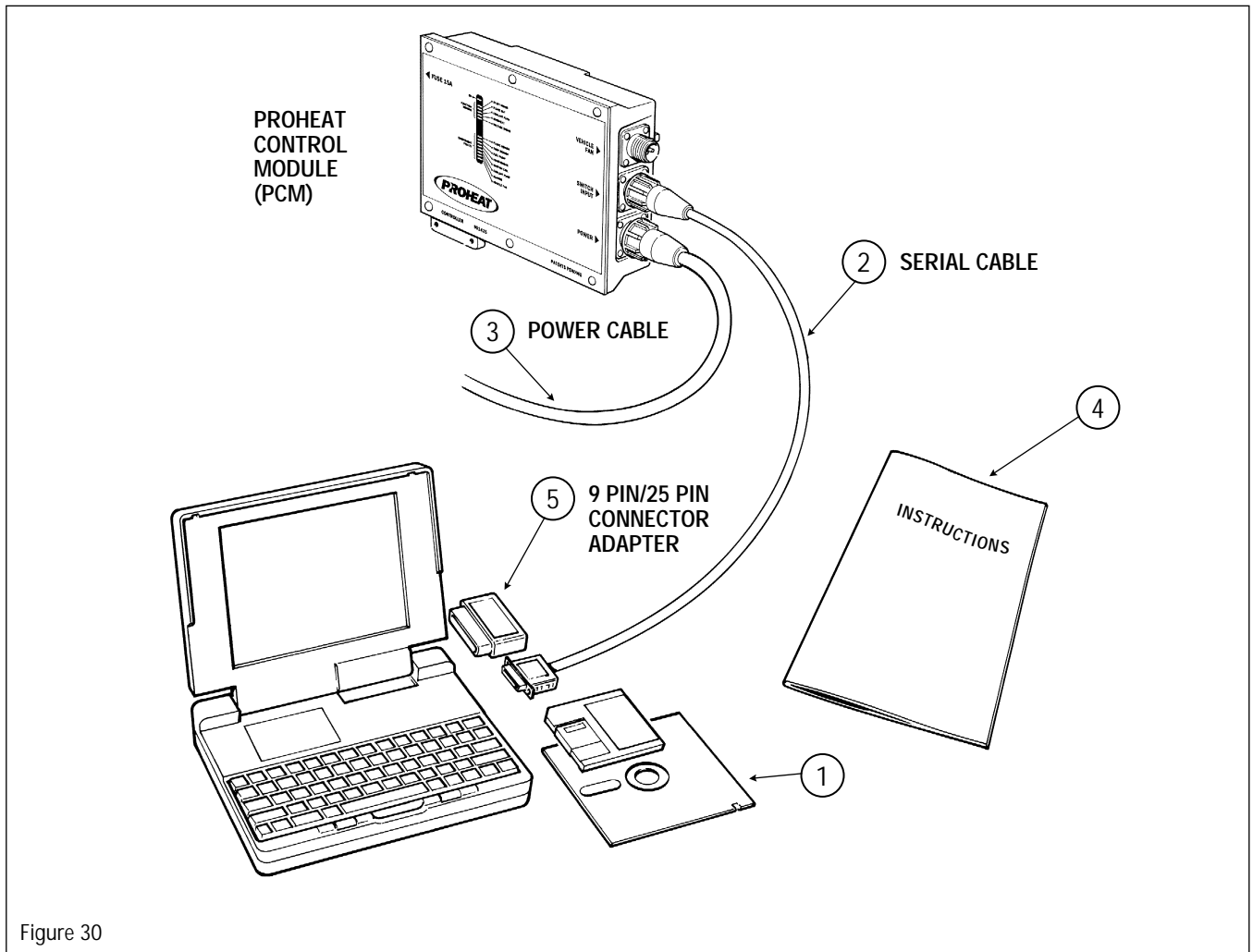


Figure 29

ITEM	PART#	QTY	DESCRIPTION
	952925		REMOTE ON/OFF SWITCH LEAD This switch lead allows the user to switch the Proheat ON & OFF at the furnace.

ITEM	PART#	QTY	DESCRIPTION



ITEM	PART#	QTY	DESCRIPTION
	PK0053-1		PROHEAT DATA LINK KIT
			Allows the user to download information stored in the PCM into a computer for viewing. The information can be used to:
			a) determine the number of hours the furnace has run
			b) aid in troubleshooting

ITEM	PART#	QTY	DESCRIPTION
Package includes:			
1		1	Software, Data Link – 2 disks a) 1.4 MB – 3 1/2" disk b) 720 Kb - 5 1/4" disk
2		1	Serial Cable – Connects computer to Controller (25' long)
3		1	Power Cable (15' long)
4		1	Instructions
5		1	9 pin/25 pin connector adapter
Not included:			
		1	Computer: IBM Compatible with Serial Port

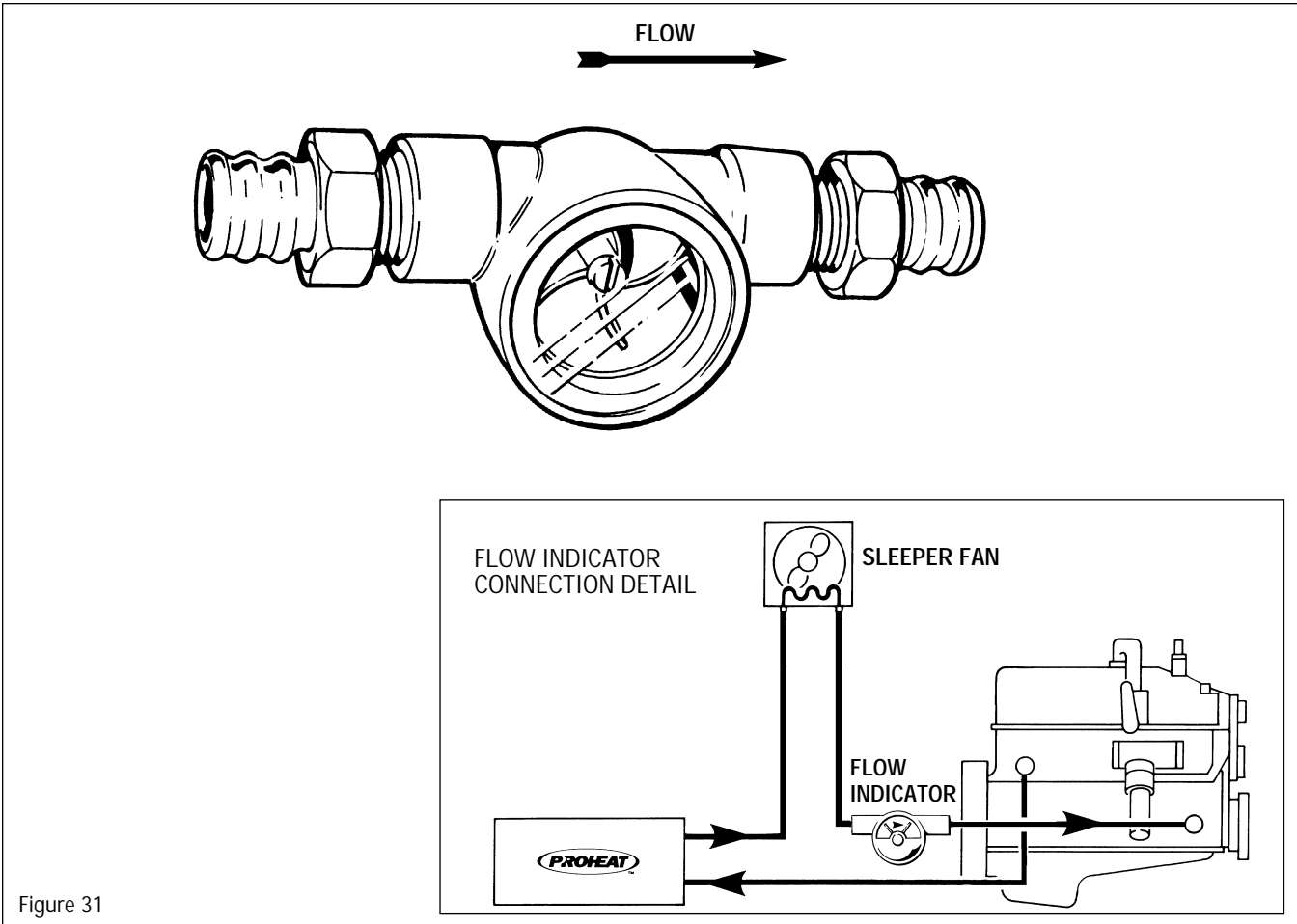


Figure 31

ITEM	PART#	QTY	DESCRIPTION
	TK9002		FLOW INDICATOR Allows the user to determine: <ul style="list-style-type: none"> • direction of flow • speed of flow • air (if any in the coolant system.)

ITEM	PART#	QTY	DESCRIPTION

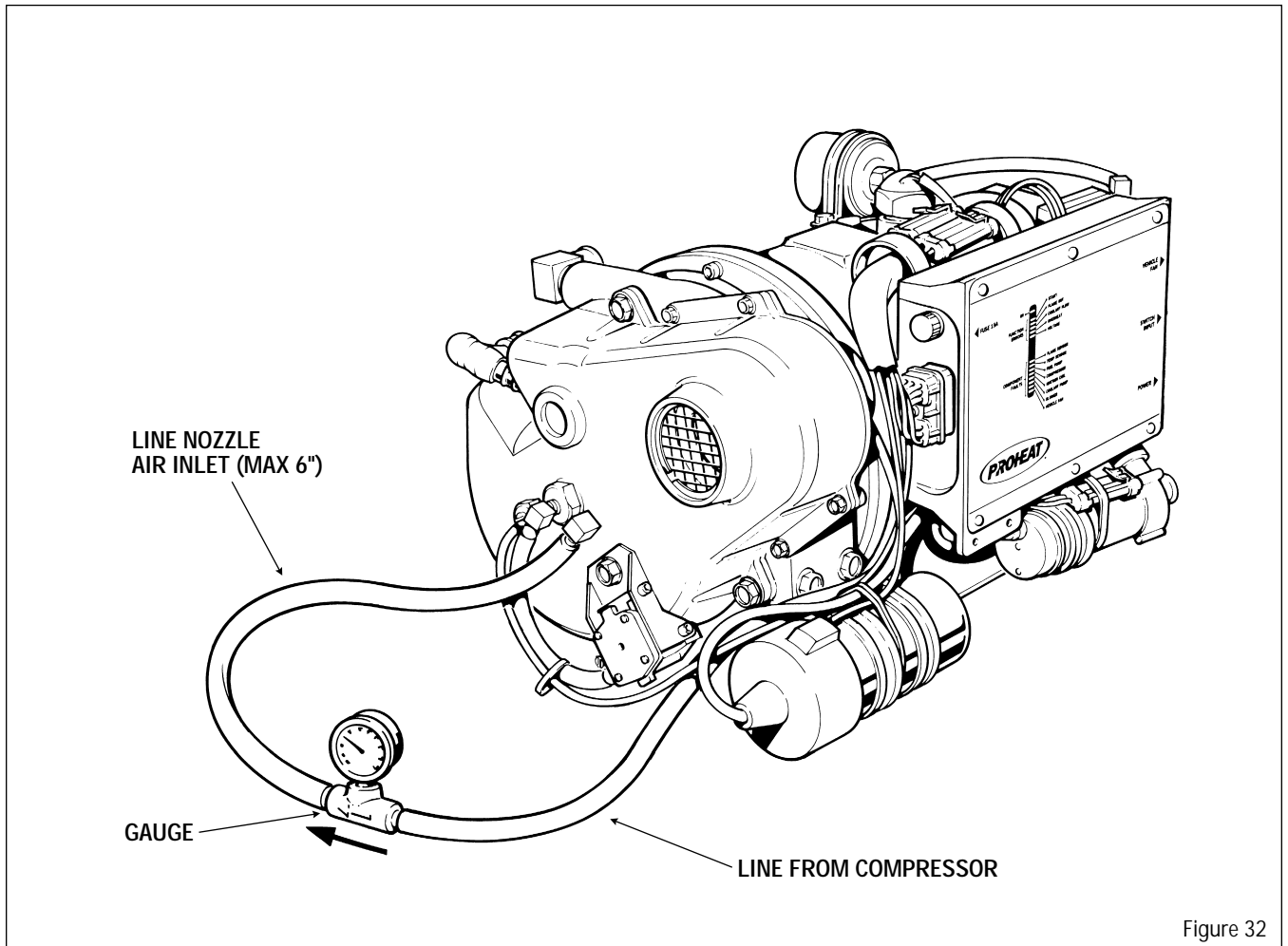


Figure 32

ITEM	PART#	QTY	DESCRIPTION
	PK0060		<p>AIR COMPRESSOR, TEST GAUGE</p> <p>This tool is used to check for proper air/fuel delivery through the nozzle.</p> <p>Refer to Service Bulletin #969023 for additional information.</p>

ITEM	PART#	QTY	DESCRIPTION

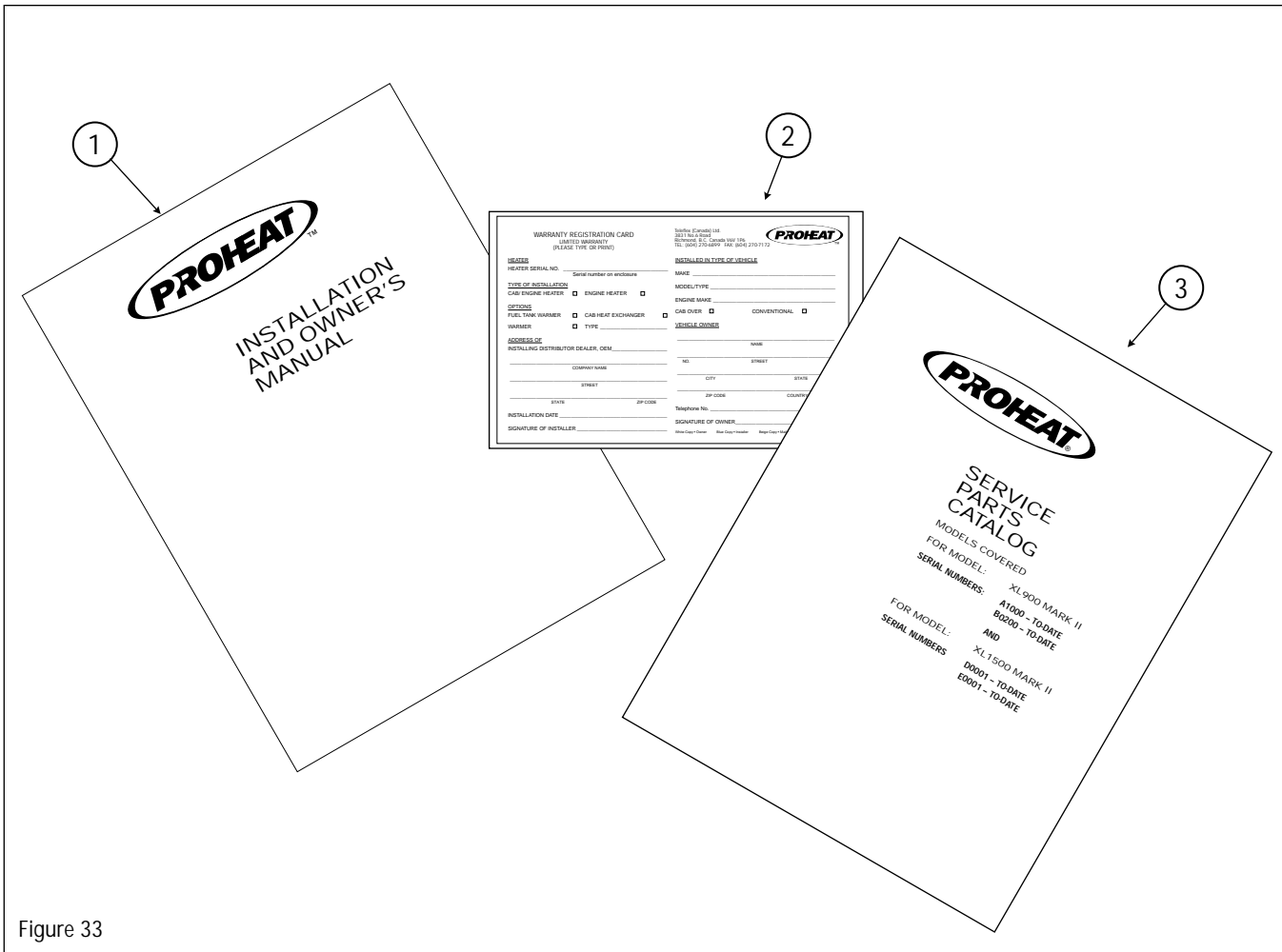


Figure 33

ITEM	PART#	QTY	DESCRIPTION
1	925824-1	1	Installation & Owner's Manual
2	925928-1	1	Warranty Registration Card
3	SL9052	1	Parts Catalog

ITEM	PART#	QTY	DESCRIPTION
------	-------	-----	-------------



INDEX



PART#	DESCRIPTION	PAGE#	PART#	DESCRIPTION	PAGE#
010901	WASHER	23	845422	SCREW, HEX FLANGE, 5/16" NC BY 1" ...	21, 22
010924	WASHER, 5/16"	7, 21, 22, 23	850000	WASHER, M14 FLAT PLATED.....	7
020625	LOCKWASHER #10,	3, 13, 14, 16	900001K	FUSE HOLDER KIT.....	4, 5, 15
021421	NUT, SELF LOCKING, 3/8" NC	24	901021	SENSOR, OVERHEAT	4, 5, 15
029526	LOCKWASHER, 1/4"	6, 7, 8, 9, 13, 16	901124	SENSOR, TEMPERATURE	4, 5, 15
037024	SCREW, 1/4" NC BY 3/4" HEX HD	13	902926	CLAMP, COMPRESSOR MOUNTING W/NUT	16
040328	SCREW, WOOD, #8 BY 1"	20	903026	HARNES, SLEEPER FAN, 30 FT, (2 PIN)....	4, 15
067528	WASHER, 1/4" FLAT	6, 7, 8, 16	903100K	PCM, STD, 12 VOLT	10
113622	WASHER, 3/8" FLAT	24	903120	HARNES, SWITCH, 25 FT, (4 PIN).....	4, 5, 15
113820	NUT, SELF LOCKING, 5/16"NC	16, 21, 22, 23	903223	HARNES, POWER, 15 FT, (3 PIN).....	4, 5, 15
201626	WASHER, 5/16", COMPRESSOR.....	16	903628	SCREW, HEX FLANGE, 1/4" NC BY 5/8"	1, 2, 3, 4, 5, 6, 7, 8, 9, 14, 15, 16
221442	O-RING, NOZZLE	1, 2, 13	903825	GROMMET, ELECTRODE, MK I	13
3822248	THERMOSTAT	20	903929	GROMMET, 1 1/2" ID	21, 22
3885564	CLAMP, ASSEMBLY, ACROSS FRAME MOUNT.....	25	904200K	PCM, AUX, INPUT,12 VOLT	10
700721	LOCKWASHER, 5/15" FENDER SS	23	904921	ELBOW, 3/4"HOSE BY 1/2"NPT	3, 6, 7, 8, 9, 14, 16
703720	WASHER, #10	4, 5, 13, 15	905229	GROMMET, CONTROLLER MOUNT	4, 5, 15
704722	NUT 1/4" NC S5	7	905300K	PCM, AUX, INPUT,24 VOLT	10
706728	NUT, SELF LOCKING, 1/4" NF.....	6, 8	905322	CLAMP, CUSHIONED 1 11/16" ID (JOHNSON PUMP)	6, 16
742301	GROUND STUD	7	905821	O-RING, TEMPERATURE SENSOR.....	4, 5, 15
769125	CONNECTOR, 1/4" FEMALE SPADE.....	20	906024	O-RING, FUEL STRAINER ADAPTER	1, 2, 13
757221	CLAMP, CUSHIONED 1.25ID	7	906128	REGULATOR, FUEL, MK I	16
790525	SCREW, 5/16" ZINC PLATED	23	906626	BRACKET, FUEL PUMP, MK I.....	16
840429	CLAMP, SPRING, GREEN, AIR.....	1, 2, 8, 9	908227	FAN END CASTING, MK I.....	13
840626	NUT, 5/8" NF	19	909427K	PUMP, FUEL	6, 8, 16
841027-2	FUEL PICK-UP 24", ASSEMBLY (STANDARD)...	19	909501K	PUMP, FUEL 24V 'E' c/w FITTINGS & NUTS	7, 9
841121	WASHER, BOTTOM.....	19	909521	CLAMP, EXHAUST PIPE	3, 14
841224	WASHER, TOP.....	19	909925K	BLOWER, XL900, 12V, MK I	13
841328	GASKET, FUEL PICK-UP	19	911220	AIR FILTER, ELEMENT ONLY, MK I	16
841722	WASHER, 5/8" ID BY 1" OD	19	911727K	COMPRESSOR XL900 24V, YUKON	7
842020	HOSE, AIR & FUEL, 3/16" ID, PER FOOT	1, 2, 6, 7, 8, 9, 16, 19	911728K	COMPRESSOR, XL900, 12V.....	6, 16
842123	ELBOW, 3/16" HOSE BY 1/8" NPT, AIR & FUEL....	1, 2, 6, 7, 8, 9, 13, 16	912025	ELBOW, 1/4" HOSE x 1/8" NPT	7, 9
842321	FITTING 3/16" HOSE BY 1/8" NPT	16	913526K	COIL, IGNITION	3, 14
842725	SWITCH, ON/OFF 24 VOLT.....	20	913620	TIE ROD, COMPRESSOR, MK I	16
843127	N/A USE 900001K	4, 5, 15	913723	END CAP, COMPRESSOR, MK I	16
843624	SEAL STRIP, BLOWER, MK I, PER FOOT	13	916223	CLAMP, ELECTRODE, MK I.....	13
844200	COMBUSTION TUBE, XL1500-12V/24V	3, 14	916421	N/A USE 916421-1	22
844222	COMBUSTION TUBE, XL900-12V/24V	3, 14	916421-1	ENCLOSURE, BASE, XL900.....	22
844326	ISOLATOR, SLEEPER FAN WITH DECAL	20	916524	ENCLOSURE LID, XL900.....	21, 22
844523K	RUBBER MOUNT (4 PER PKG) W/NUT & WASHER.....	23	917724	O-RING, OVERHEAT	4, 5, 15
844627K	AIR INLET TUBE AND FITTING	13	918322	HEAT EXCHANGER ASS'Y, W/ELBOWS, MK I ...	14
844721K	SIGHT GLASS KIT.....	1, 2, 13	918727	N/A USE 980521	7
845028	EXHAUST PIPE, 10" LONG	3, 14	918821	LEAD, GROUND ELECTRODE, MK I	13
			919429	SPRING, COMPRESSOR, MK I.....	16
			919626	DECAL, TOGGLE SWITCH	20

INDEX



PART#	DESCRIPTION	PAGE#	PART#	DESCRIPTION	PAGE#
919823	FUEL STRAINER	1, 2, 13	936227	AIR FILTER, W/ELEMENT, MK II	6, 7, 8, 9
920125	SWITCH, ON/OFF 12 VOLT.....	20	936621	ELBOW 3/8T-1/4"NPT	7
920229	ADAPTER, FUEL STRAINER.....	1, 2, 13	936725	CLAMP, CUSHIONED, 3/8" ID.....	3, 13
920821	SPACER,CONTROLLER.....	4, 5, 15	936829	CLAMP, CUSHIONED 2 1/16" ID.....	3, 6, 14
921221K	HOSE, COOLANT, 3/4" ID, PER FOOT ...	6, 7, 8, 9, 16	937126	FITTING, "Y", 3/16" HOSE	8, 9
921522	N/A USE 900001K	4, 5, 15	937220	FITTING, 3/16" HOSE BY 1/8" NPT	8, 9
921823	FUSE, 15A.....	4, 5, 15	938326K	NOZZLE, FUEL, XL1500-1, 30609-32, W/O-RING.....	2
922121	SCREW, 10-24NC BY 1/2" HEX HD.....	13	938326-2K	NOZZLE, FUEL, XL1500-2, 30609-35, W/O-RING.....	2
922224	SCREW, 1/4" NC BY 1/2" HEX HD	6, 8, 16	938928	NUT, NYLOK, 1/4" NC JAM.....	3, 7, 9
922328	SCREW, 1/4" NC BY 5/8" SOCKET HD	16	939422	N/A Use 939422-2	22
922421	SCREW, 10-24NC BY 2" SOCKET HD	16	939422-2	ENCLOSURE, BASE, XL1500.....	22
922920	ELBOW, 1/4" NPT(F) BY 1/8" NPT(M)	16	939526	ENCLOSURE, LID, XL1500.....	21, 22
923123	SCREW, 10-24NC BY 1/2" SOCKET HD.....	3, 14	SL9052	PARTS CATALOG	34
923829	SCREW, 5/16" NC BY 1 1/4".....	21, 22	940326K	PUMP, COOLANT, CP1800, 12V.....	6, 8, 16
924427	GROMMET, AIR LINE	13	942820K	PUMP, COOLANT, CP1800, 24V...6, 7, 8, 9, 16	
925824-1	MANUAL, INSTALLATION & OWNER	34	943828	CLAMP, TFX CIRCULATING PUMP...6, 7, 8, 9, 16	
925928-1	WARRANTY CARD.....	34	944026	HARNESS ADAPTER, WATER PUMP.....	6, 8
926921	WEATHER SEAL, ENCLOSURE, PER FOOT	21, 22	944825	ENCLOSURE, XL900 LID, (LONG)	21
928023	ELECTRODE, IGNITION, MK I.....	13	945226	SCREW, 3/8" NC BY 1 1/2" HEX HD	24
928221	N/A USE 962823	6, 7, 16	951123-2	REGULATOR, FUEL, MK II.....	1, 2
928428K	NOZZLE, FUEL, XL900, 30609-30, W/O-RING.....	1, 13	952925	REMOTE ON/OFF SWITCH LEAD	30
928822K	COMPRESSOR, XL900, 24V.....	6, 16	953025	BASE MOUNTING PLATE	23
928926K	BLOWER, XL900, 24V, MK I	13	953030	BASE MOUNTING PLATE (2PC ISOLATOR).....	23
929121	NUT, SELF -LOCKING, 1/4" NE.....	6, 7, 8, 9	953346K	RUBBER MOUNT, RT. 2PC. c/w FASTENER (4 PER PKG.)	23
929628	PANEL NUTS, ENCLOSURE BASE.....	21, 22	953420	AIR FILTER, MK II c/w ELEMENT.....	6, 7, 8, 9
930521	LEAD, IGNITION WITH BOOT, MK II.....	1, 2, 3, 13, 14	953523	GASKET, SEAT, IGNITOR, MK II	1, 2
930822K	BLOWER, XL1500-1, 12V, MK II.....	2	953824	N/A USE 937126	8
930926K	BLOWER, XL1500-1, 24V, MK II.....	2	954329	SENSOR, FLAME	1, 2, 13
931026	SHOCK MOUNT, NEOPRENE 50D	7	954422	ENCLOSURE LID, PLAIN, XL900	21
931100	ISOLATOR, 2PC (INCL. 2 PARTS)	23	954526	ENCLOSURE LID, PLAIN, XL1500	22
931327	COVER, CONNECTOR	4, 15	961125	TIMER, 7-DAY, DIGITAL c/w INSTALLATION KIT.....	26
933021	GASKET, BLOWER, MK II	1, 2	962128	ELBOW 1/4" NPTF-1/4" NPTM.....	8, 9
933125K	BLOWER, XL900, 12V, MK II.....	1	962221	FITTING ADAPTER, 1/4" NPT.....	8, 9
933520	IGNITOR, MK II	1, 2	962823	CLAMP, OETIKER, SCREW	6, 7, 8, 9, 16
933800	BRACKET MULTIMOUNT	7	964321K	SCREEN, BLOWER, INLET KIT	1, 2, 13
933801	BRACKET, VIBRATION.....	7	967422	TEST LEAD, BLOWER HARNESS	29
933821	BRACKET, FUEL PUMP, MK II.....	6, 8	967921	TEST LEAD, MAIN HARNESS	29
933825	BRACKET, FUEL DELIVERY	9	979420	FUEL PICK-UP 36" ASSEMBLY (OPTIONAL)....	19
934128	HARNESS, MAIN INTERNAL.....	4, 5, 15	980521	EXHAUST PIPE, 90 ELBOW, 24" LONG	3
934325	CLAMP, FUEL HOSE	1, 2, 6, 7, 8, 9, 16, 19	980624	FUEL PICK-UP 12" ASSEMBLY (OPTIONAL)....	19
934429	SCREW,10-24NC BY 5/8"HEXHD.....	1,2,4,5,15	981523K	BLOWER, XL1500-2, 12V, MK II.....	2
934522	HEAT EXCHANGER ASS'Y, W/ELBOWS, MK II...3		981627	FAN END CASTING, XL900 & XL1500-1 W/SCREEN & WINDOW	1, 2
934626	CLIP, WIRE HARNESS.....	4, 5, 15			
935121K	BLOWER, XL900, 24V, MK II.....	1			
935722K	COMPRESSOR, XL1500, 12V.....	8			
935826K	COMPRESSOR, XL1500, 24V.....	8, 9			



PART#	DESCRIPTION	PAGE#
981721	FAN END CASTING, XL1500-2 W/SCREEN & WINDOW	2
981824K	BLOWER, XL1500-2, 24V, MK II.....	2
999669	SCREW, 1/4"NC, BY 1/2 SOCKET HD.....	6, 7, 8, 9
PK0001	TIMER, 7 DAY DIGITAL.....	26
PK0059	CHECK VALVE, FUEL	19
PK0060	AIR COMPRESSOR, TEST GAUGE.....	33
PK0051	HOUR METER KIT.....	4, 5, 15
PK0151	ACROSS FRAME MOUNTING KIT.....	25
PK0152	SIDE FRAME MOUNTING KIT	24
PK0053-1	PROHEAT DATA LINK KIT	31
PK0310	GROUND WIRE IN-LINE FUSE	26
TK9002	FLOW METER.....	32



Teleflex Canada

3831 No. 6 Road
Richmond, B.C.
Canada V6V 1P6

Tel: (604) 270-6899
Fax: (604) 270-0137

www.proheat.com



Designed and Manufactured
in North America